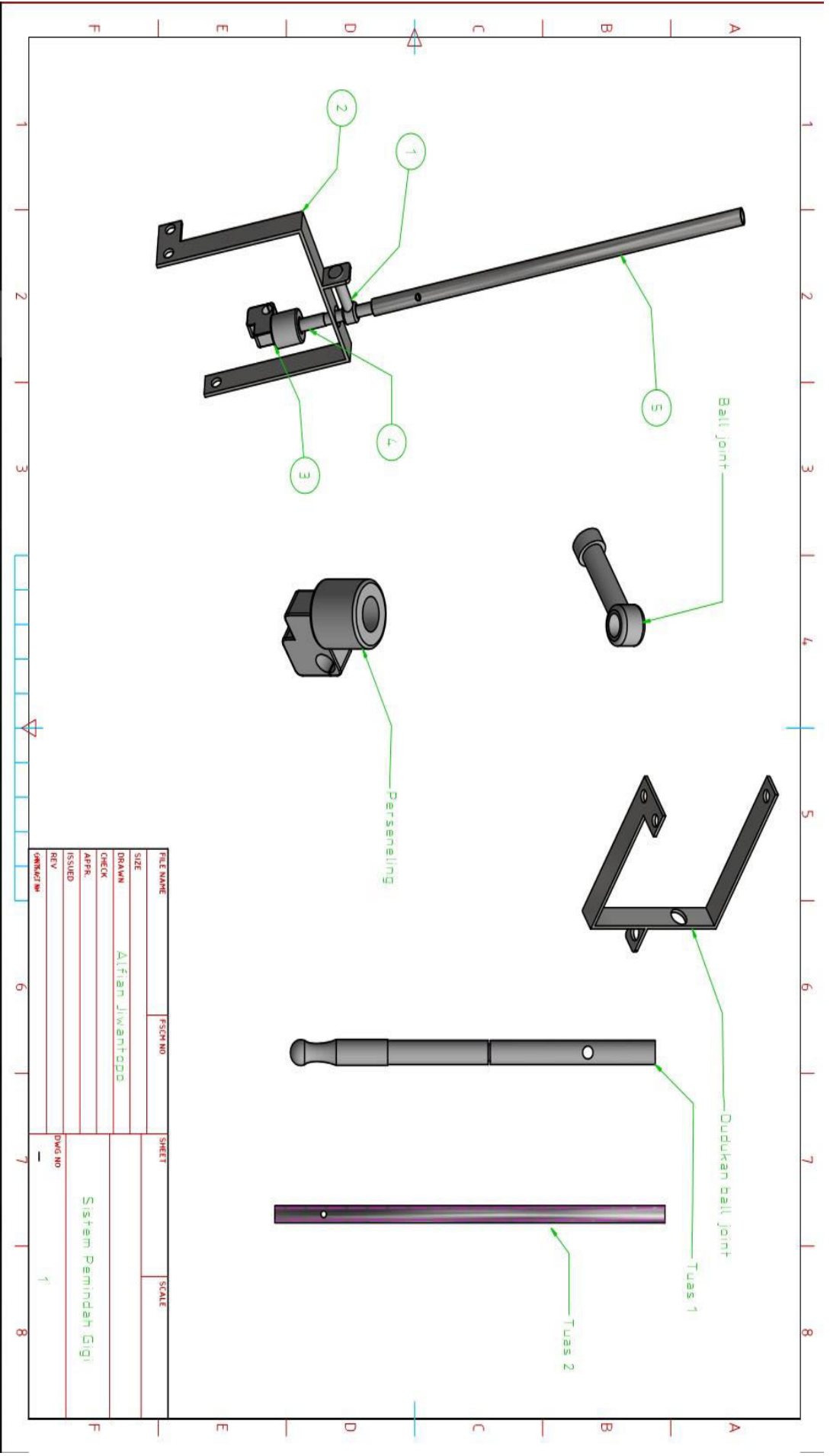
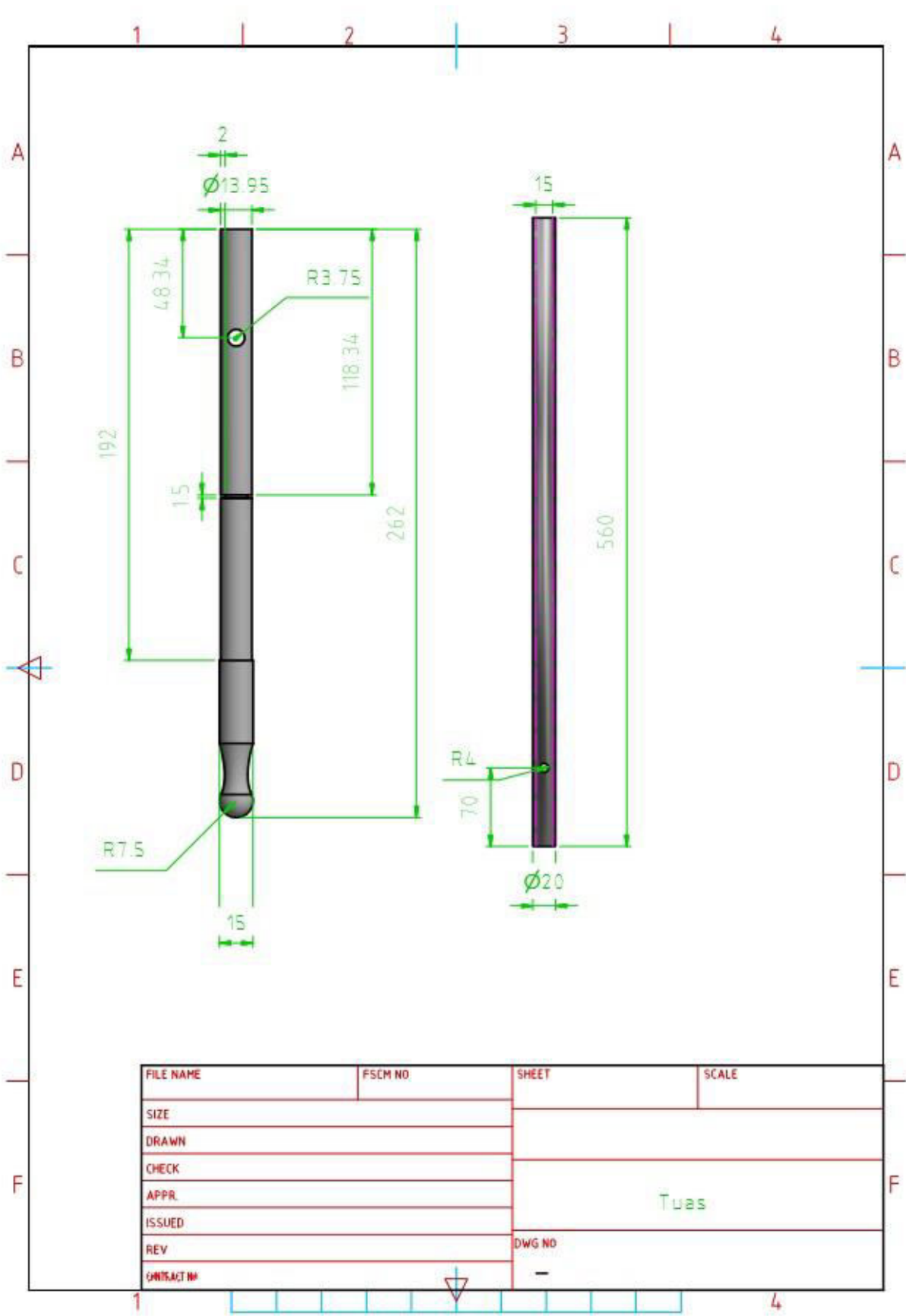


LAMPIRAN

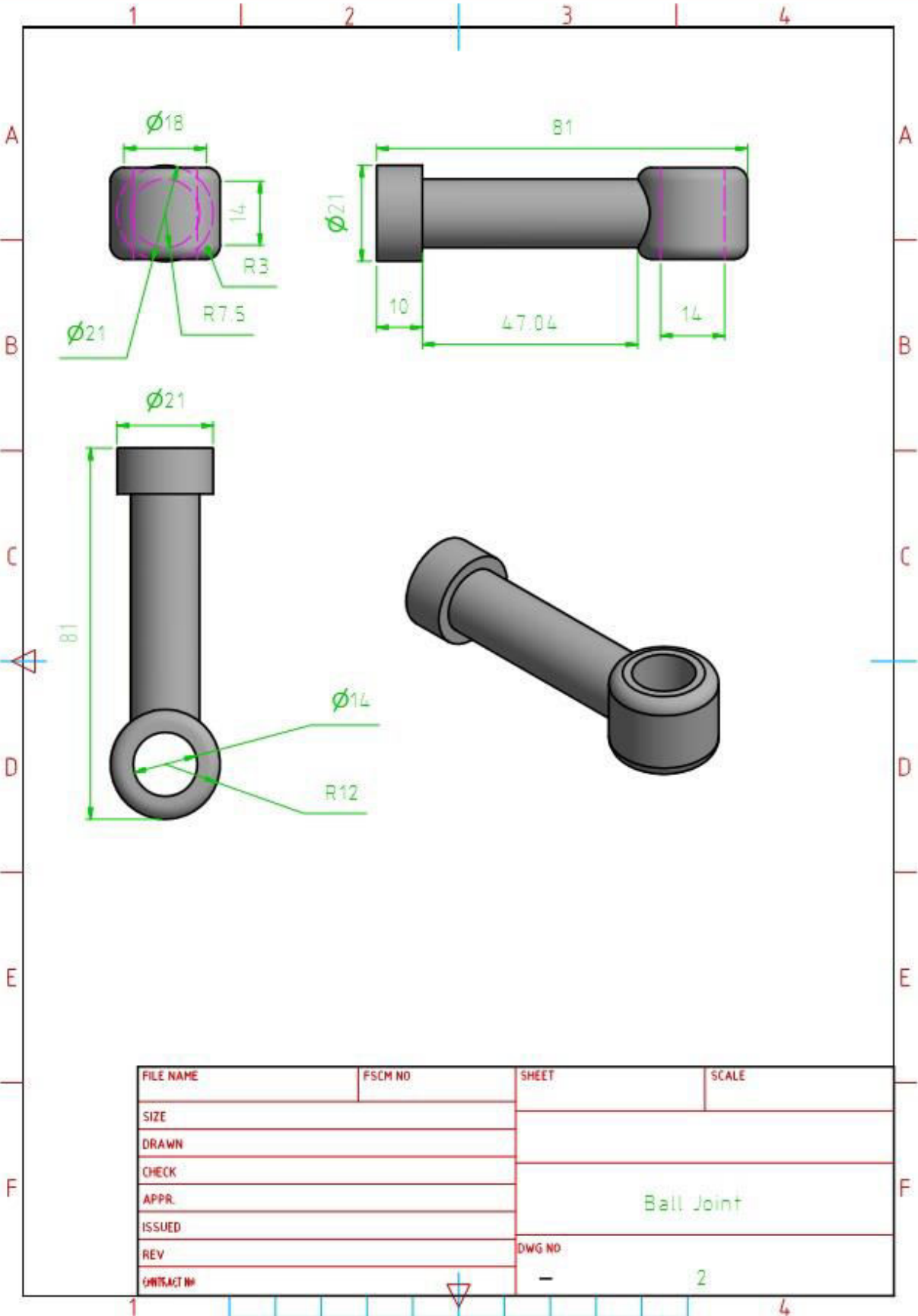


| | | | |
|-----------|-------------------|--------|-------|
| FILE NAME | FSCH NO | SHEET | SCALE |
| SIZE | | | |
| DRAWN | Alihan Jiwantodda | | |
| CHECK | | | |
| APPR. | | | |
| ISSUED | | | |
| REV | | DWG NO | |
| | | | 1 |
| SIMPANAN | | | |

Sistem Pemindah Gigi

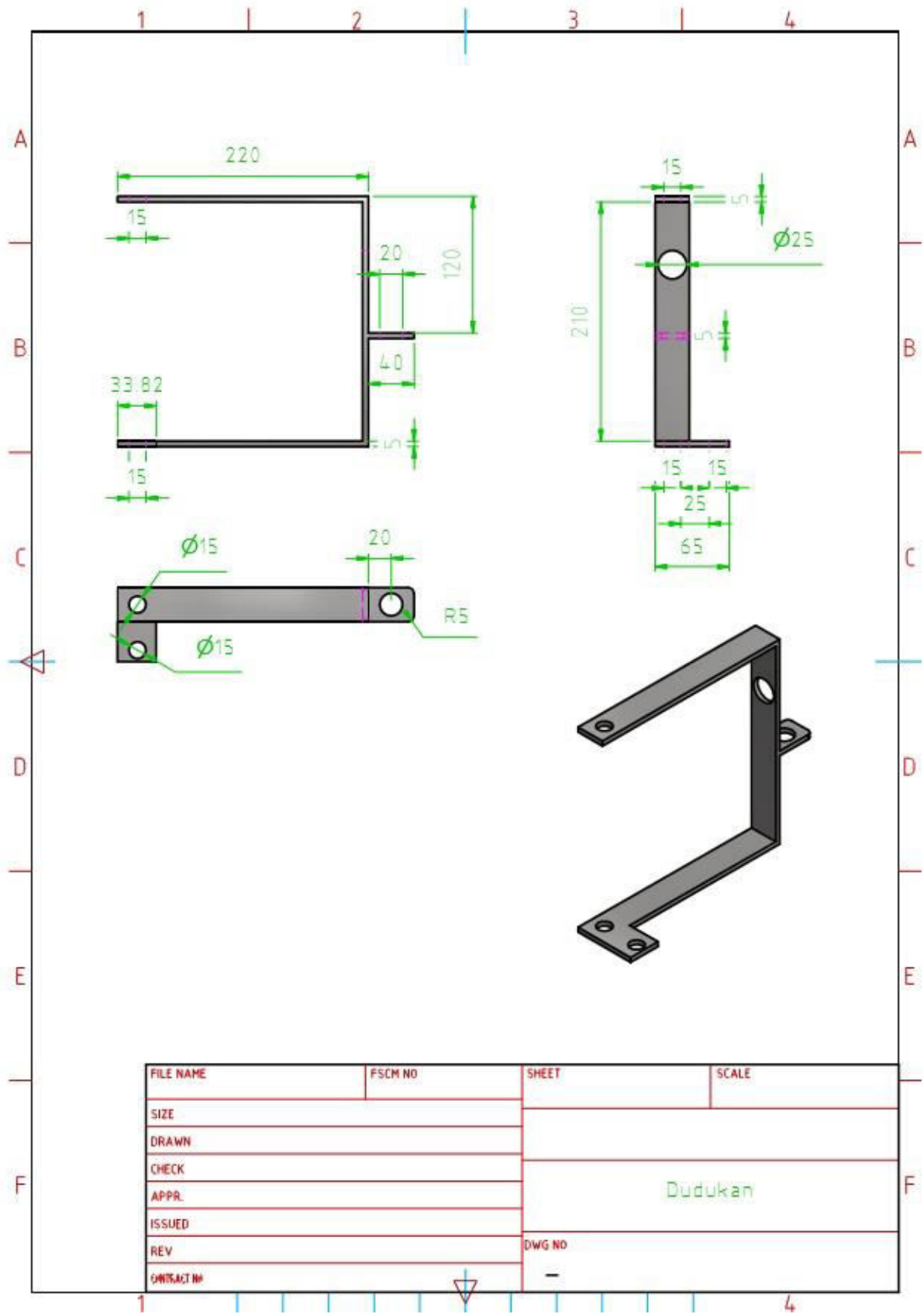


| | | | |
|-----------|---------|--------|-------|
| FILE NAME | FSCM NO | SHEET | SCALE |
| SIZE | | | |
| DRAWN | | | |
| CHECK | | | |
| APPR. | | Tues | |
| ISSUED | | | |
| REV | | DWG NO | |
| CONTACT# | | - | |

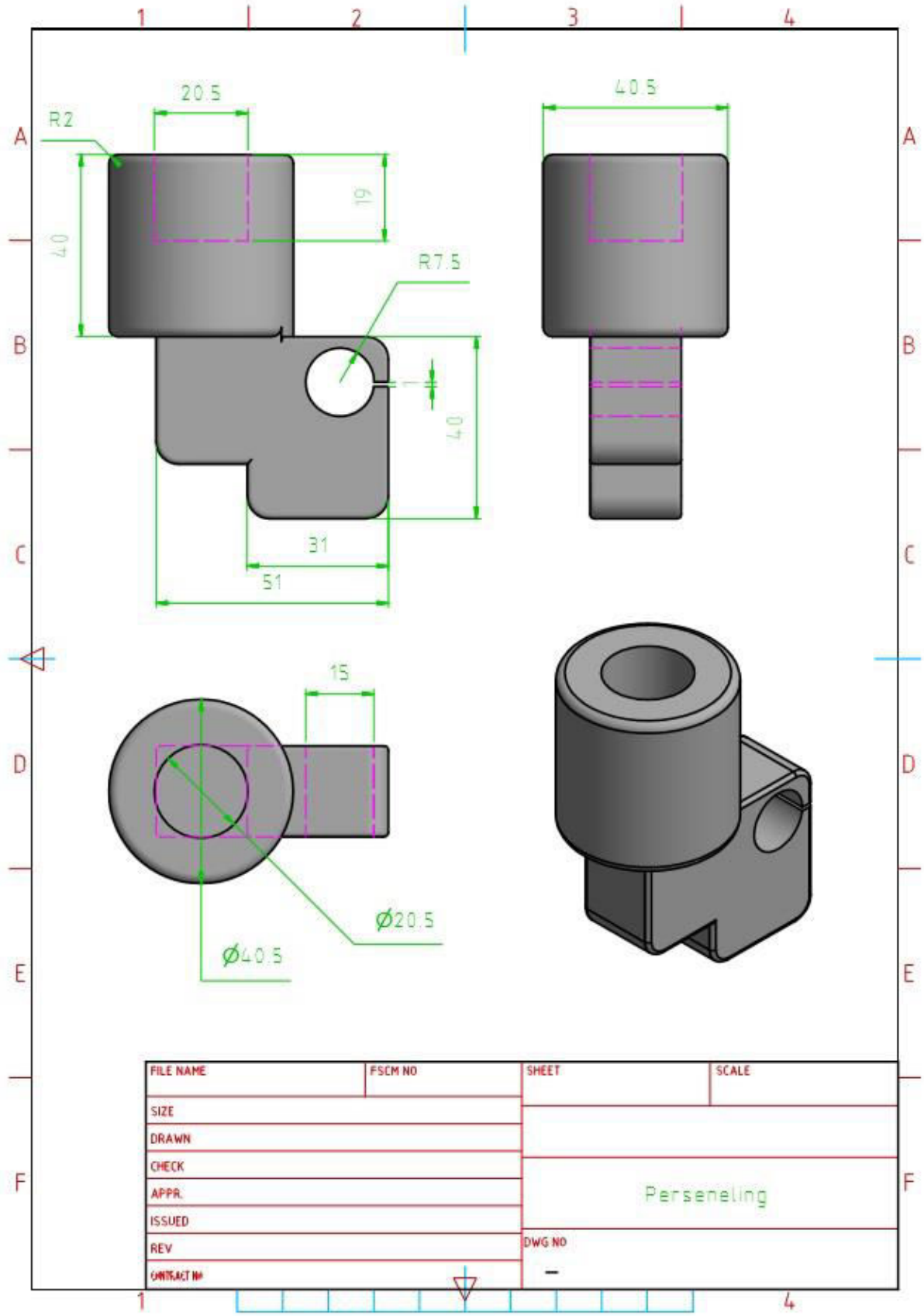


| | | | |
|------------|---------|--------|-------|
| FILE NAME | FSCM NO | SHEET | SCALE |
| SIZE | | | |
| DRAWN | | | |
| CHECK | | | |
| APPR. | | | |
| ISSUED | | | |
| REV | | DWG NO | |
| CONTACT NO | | - | 2 |

Ball Joint



| FILE NAME | FSCM NO | SHEET | SCALE |
|------------|---------|--------|---------|
| SIZE | | | |
| DRAWN | | | |
| CHECK | | | |
| APPR. | | | Dudukan |
| ISSUED | | | |
| REV | | DWG NO | |
| CONTACT NO | | - | |



| | | | |
|------------|-------------|-------|-------|
| FILE NAME | FSCM NO | SHEET | SCALE |
| SIZE | | | |
| DRAWN | | | |
| CHECK | | | |
| APPR. | Perseneling | | |
| ISSUED | | | |
| REV | DWG NO | | |
| UNTSACT N° | - | | |