

Rapid Visual Screening of Buildings for Potential Seismic Hazards  
FEMA P-154 Data Collection Form

Level 1  
MODERATELY HIGH Seismicity

PHOTOGRAPH	Address: <u>Susukan II, Margokaton, Seyegan, Sleman</u> <u>RT 05/RW 04</u> Zip: <u>55561</u>
	Other Identifiers: <u>-</u>
SKETCH	Building Name: <u>Bapak Sutrat</u>
	Use: <u>Rumah Tinggal</u>
	Latitude: <u>-7.71293606</u> Longitude: <u>110.28836108</u>
	Ss: <u>0.848</u> Si: <u>0.342</u>
	Screeners(s): <u>Rivan Fauzi N</u> Date/Time: <u>11-Januari-2018</u>
	No. Stories: Above Grade: <u>1</u> Below Grade: <u>0</u> Year Built: <u>1987</u> EST
Total Floor Area (sq. ft.): <u>200 m<sup>2</sup></u> Code Year: _____	
Additions: <input type="checkbox"/> None <input type="checkbox"/> Yes, Year(s) Built: _____	
Occupancy: Assembly <input type="checkbox"/> Commercial <input type="checkbox"/> Emer. Services <input type="checkbox"/> Historic <input type="checkbox"/> Shelter Industrial <input type="checkbox"/> Office <input type="checkbox"/> School <input type="checkbox"/> Government Utility <input type="checkbox"/> Warehouse <input checked="" type="checkbox"/> Residential # Units: _____	
Soil Type: <input type="checkbox"/> A <input type="checkbox"/> B <input type="checkbox"/> C <input checked="" type="checkbox"/> D <input type="checkbox"/> E <input type="checkbox"/> F <input type="checkbox"/> DNK Hard Avg Dense Stiff Soft Poor If DNK, assume Type D. Rock Rock Soil Soil Soil Soil	
Geologic Hazards: Liquefaction: Yes/No/DNK Landslide: Yes/No/DNK Surf. Rupt.: Yes/No/DNK	
Adjacency: <input type="checkbox"/> Pounding <input type="checkbox"/> Falling Hazards from Taller Adjacent Building	
Irregularities: <input checked="" type="checkbox"/> Vertical (type/severity) <u>split level</u> <input checked="" type="checkbox"/> Plan (type) <u>U-shaped</u>	
Exterior Falling Hazards: <input type="checkbox"/> Unbraced Chimneys <input type="checkbox"/> Heavy Cladding or Heavy Veneer <input checked="" type="checkbox"/> Parapets <input type="checkbox"/> Appendages <input type="checkbox"/> Other: _____	
COMMENTS: <u>Bangunan dengan 2 tipe luda-kuda yaitu kayu dan beton, terdapat beberapa retakan pada dinding bangunan</u>	
<input type="checkbox"/> Additional sketches or comments on separate page	

BASIC SCORE, MODIFIERS, AND FINAL LEVEL 1 SCORE, S<sub>L1</sub>

FEMA BUILDING TYPE	Do Not Know	W1	W1A	W2	S1 (MRF)	S2 (BR)	S3 (LM)	S4 (RC SW)	S5 (URM INF)	C1 (MRF)	C2 (SW)	C3 (URM INF)	PC2 (TU)	PC3 (RM1 (FD))	RM2 (RD)	URM	MH
Basic Score	4.1	3.7	3.2	2.3	2.2	2.9	2.2	2.0	1.7	2.1	1.4	1.8	1.5	1.8	1.2	2.2	
Severe Vertical Irregularity, V <sub>L1</sub>	-1.3	-1.3	-1.3	-1.1	-1.0	-1.2	-1.0	-0.9	-1.0	-1.1	-0.8	-1.0	-0.9	-1.0	-0.8	NA	
Moderate Vertical Irregularity, V <sub>L1</sub>	-0.8	-0.8	-0.8	-0.7	-0.6	-0.8	-0.6	-0.6	-0.6	-0.6	-0.5	-0.6	-0.6	-0.6	-0.5	NA	
Plan Irregularity, P <sub>L1</sub>	-1.3	-1.2	-1.1	-0.9	-0.8	-1.0	-0.8	-0.7	-0.7	-0.9	-0.6	-0.8	-0.7	-0.7	-0.5	NA	
Pre-Code	-0.8	-0.9	-0.9	-0.5	-0.5	-0.7	-0.6	-0.2	-0.4	-0.7	-0.1	-0.4	-0.3	-0.5	-0.1	-0.3	
Post-Benchmark	1.5	1.9	2.3	1.4	1.4	1.0	1.9	NA	1.9	2.1	NA	2.1	2.4	2.1	NA	1.2	
Soil Type A or B	0.3	0.6	0.9	0.6	0.9	0.3	0.9	0.9	0.6	0.8	0.7	0.9	0.7	0.8	0.8	0.9	
Soil Type E (1-3 stories)	0.0	-0.1	-0.3	-0.4	-0.5	0.0	-0.4	-0.5	-0.2	-0.2	-0.4	-0.5	-0.3	-0.4	-0.4	-0.5	
Soil Type E (> 3 stories)	-0.5	-0.8	-1.2	-0.7	-0.7	NA	-0.7	-0.6	-0.6	-0.8	-0.4	NA	-0.5	-0.6	-0.7	NA	
Minimum Score, S <sub>MIN</sub>	1.6	1.2	0.8	0.5	0.5	0.9	0.5	0.5	0.3	0.3	0.3	0.3	0.2	0.3	0.2	1.4	

FINAL LEVEL 1 SCORE, S<sub>L1</sub> ≥ S<sub>MIN</sub>:

0.5

<p><b>EXTENT OF REVIEW</b></p> <p>Exterior: <input type="checkbox"/> Partial <input type="checkbox"/> All Sides <input type="checkbox"/> Aerial Interior: <input type="checkbox"/> None <input type="checkbox"/> Visible <input type="checkbox"/> Entered Drawings Reviewed: <input type="checkbox"/> Yes <input type="checkbox"/> No Soil Type Source: _____ Geologic Hazards Source: _____ Contact Person: _____</p> <p><b>LEVEL 2 SCREENING PERFORMED?</b></p> <p><input type="checkbox"/> Yes, Final Level 2 Score, S<sub>L2</sub> _____ <input checked="" type="checkbox"/> No Nonstructural hazards? <input type="checkbox"/> Yes <input checked="" type="checkbox"/> No</p>	<p><b>OTHER HAZARDS</b></p> <p>Are There Hazards That Trigger A Detailed Structural Evaluation?</p> <p><input type="checkbox"/> Pounding potential (unless S<sub>L2</sub> &gt; cut-off, if known) <input type="checkbox"/> Falling hazards from taller adjacent building <input type="checkbox"/> Geologic hazards or Soil Type F <input type="checkbox"/> Significant damage/deterioration to the structural system</p>	<p><b>ACTION REQUIRED</b></p> <p>Detailed Structural Evaluation Required?</p> <p><input type="checkbox"/> Yes, unknown FEMA building type or other building <input type="checkbox"/> Yes, score less than cut-off <input type="checkbox"/> Yes, other hazards present <input type="checkbox"/> No</p> <p>Detailed Nonstructural Evaluation Recommended? (check one)</p> <p><input type="checkbox"/> Yes, nonstructural hazards identified that should be evaluated <input type="checkbox"/> No, nonstructural hazards exist that may require mitigation, but a detailed evaluation is not necessary <input type="checkbox"/> No, no nonstructural hazards identified <input type="checkbox"/> DNK</p>
<p>Where information cannot be verified, screener shall note the following: EST = Estimated or unreliable data OR DNK = Do Not Know</p>		

Legend: MRF = Moment-resisting frame RC = Reinforced concrete URM INF = Unreinforced masonry infill MH = Manufactured Housing FD = Flexible diaphragm  
BR = Braced frame SW = Shear wall TU = Tilt Up LM = Light metal RD = Rigid diaphragm



Rapid Visual Screening of Buildings for Potential Seismic Hazards  
FEMA P-154 Data Collection Form

Level 1  
MODERATELY HIGH Seismicity

PHOTOGRAPH	Address: <u>susukan II, Margokaton, seyegan sleman</u> <u>RT 04 / RW 04</u> Zip: <u>55561</u>
	Other Identifiers: <u>-</u>
	Building Name: <u>Bapak Darmo</u>
	Use: <u>Rumah Tinggal</u>
	Latitude: <u>-7.71314862</u> Longitude: <u>110-28830367</u>
	Ss: <u>0.849</u> S1: <u>0.343</u>
	Screeners(s): <u>Rivan Fajdal N</u> Date/Time: <u>11 Januari 2018</u>
	No. Stories: Above Grade: <u>1</u> Below Grade: <u>0</u> Year Built: <u>1990</u> <input type="checkbox"/> EST
	Total Floor Area (sq. ft.): <u>56 m<sup>2</sup></u> Code Year: _____
	Additions: <input checked="" type="checkbox"/> None <input type="checkbox"/> Yes, Year(s) Built: _____
	Occupancy: Assembly <input type="checkbox"/> Commercial <input type="checkbox"/> Emer. Services <input type="checkbox"/> Historic <input type="checkbox"/> Shelter Industrial <input type="checkbox"/> Office <input type="checkbox"/> School <input type="checkbox"/> Government Utility <input type="checkbox"/> Warehouse <input checked="" type="checkbox"/> Residential # Units: _____
	Soil Type: <input type="checkbox"/> A <input type="checkbox"/> B <input type="checkbox"/> C <input checked="" type="checkbox"/> D <input type="checkbox"/> E <input type="checkbox"/> F <input type="checkbox"/> DNK Hard Rock <input type="checkbox"/> Avg Rock <input type="checkbox"/> Dense Soil <input checked="" type="checkbox"/> Stiff Soil <input type="checkbox"/> Soft Soil <input type="checkbox"/> Poor Soil <i>If DNK, assume Type D.</i>
	Geologic Hazards: Liquefaction: Yes/No/DNK Landslide: Yes/No/DNK Surf. Rupt.: Yes/No/DNK
	Adjacency: <input type="checkbox"/> Pounding <input type="checkbox"/> Falling Hazards from Taller Adjacent Building
	Irregularities: <input type="checkbox"/> Vertical (type/severity) <input checked="" type="checkbox"/> Plan (type) <u>T-shaped</u>
	Exterior Falling Hazards: <input type="checkbox"/> Unbraced Chimneys <input type="checkbox"/> Heavy Cladding or Heavy Veneer <input checked="" type="checkbox"/> Parapets <input type="checkbox"/> Appendages <input type="checkbox"/> Other: _____
	COMMENTS: <u>Bangunan sederhana dengan kategori URM yang menggunakan kudu-kudu beton dan terdapat beberapa retakan pada dinding bangunan.</u>
SKETCH	<input type="checkbox"/> Additional sketches or comments on separate page

BASIC SCORE, MODIFIERS, AND FINAL LEVEL 1 SCORE, S <sub>L1</sub>																		
FEMA BUILDING TYPE	Do Not Know	W1	W1A	W2	S1 (MRF)	S2 (BR)	S3 (LM)	S4 (RC SW)	S5 (URM INF)	C1 (MRF)	C2 (SW)	C3 (URM INF)	PC1 (TU)	PC2	RM1 (FD)	RM2 (RD)	(URM)	MH
Basic Score		4.1	3.7	3.2	2.3	2.2	2.9	2.2	2.0	1.7	2.1	1.4	1.8	1.5	1.8	1.8	1.2	2.2
Severe Vertical Irregularity, V <sub>L1</sub>		-1.3	-1.3	-1.3	-1.1	-1.0	-1.2	-1.0	-0.9	-1.0	-1.1	-0.8	-1.0	-0.9	-1.0	-1.0	-0.8	NA
Moderate Vertical Irregularity, V <sub>L1</sub>		-0.8	-0.8	-0.8	-0.7	-0.6	-0.8	-0.6	-0.6	-0.6	-0.6	-0.5	-0.6	-0.6	-0.6	-0.6	-0.5	NA
Plan Irregularity, P <sub>L1</sub>		-1.3	-1.2	-1.1	-0.9	-0.8	-1.0	-0.8	-0.7	-0.7	-0.9	-0.6	-0.8	-0.7	-0.7	-0.7	-0.5	NA
Pre-Code		-0.8	-0.9	-0.9	-0.5	-0.5	-0.7	-0.6	-0.2	-0.4	-0.7	-0.1	-0.4	-0.3	-0.5	-0.5	-0.1	-0.3
Post-Benchmark		1.5	1.9	2.3	1.4	1.4	1.0	1.9	NA	1.9	2.1	NA	2.1	2.4	2.1	2.1	NA	1.2
Soil Type A or B		0.3	0.6	0.9	0.6	0.9	0.3	0.9	0.9	0.6	0.8	0.7	0.9	0.7	0.8	0.8	0.6	0.9
Soil Type E (1-3 stories)		0.0	-0.1	-0.3	-0.4	-0.5	0.0	-0.4	-0.5	-0.2	-0.2	-0.4	-0.5	-0.3	-0.4	-0.4	-0.3	-0.5
Soil Type E (> 3 stories)		-0.5	-0.8	-1.2	-0.7	-0.7	NA	-0.7	-0.6	-0.6	-0.8	-0.4	NA	-0.5	-0.6	-0.7	-0.3	NA
Minimum Score, S <sub>MIN</sub>		1.6	1.2	0.8	0.5	0.5	0.9	0.5	0.5	0.3	0.3	0.3	0.3	0.2	0.3	0.3	0.2	1.4

FINAL LEVEL 1 SCORE, S<sub>L1</sub> ≥ S<sub>MIN</sub>: 0.7

<p><b>EXTENT OF REVIEW</b></p> <p>Exterior: <input type="checkbox"/> Partial <input type="checkbox"/> All Sides <input type="checkbox"/> Aerial Interior: <input type="checkbox"/> None <input type="checkbox"/> Visible <input type="checkbox"/> Entered</p> <p>Drawings Reviewed: <input type="checkbox"/> Yes <input type="checkbox"/> No</p> <p>Soil Type Source: _____</p> <p>Geologic Hazards Source: _____</p> <p>Contact Person: _____</p> <p><b>LEVEL 2 SCREENING PERFORMED?</b></p> <p><input type="checkbox"/> Yes, Final Level 2 Score, S<sub>L2</sub> _____ <input checked="" type="checkbox"/> No Nonstructural hazards? <input type="checkbox"/> Yes <input checked="" type="checkbox"/> No</p>	<p><b>OTHER HAZARDS</b></p> <p>Are There Hazards That Trigger A Detailed Structural Evaluation?</p> <p><input type="checkbox"/> Pounding potential (unless S<sub>L2</sub> &gt; cut-off, if known)</p> <p><input type="checkbox"/> Falling hazards from taller adjacent building</p> <p><input type="checkbox"/> Geologic hazards or Soil Type F</p> <p><input type="checkbox"/> Significant damage/deterioration to the structural system</p>	<p><b>ACTION REQUIRED</b></p> <p>Detailed Structural Evaluation Required?</p> <p><input type="checkbox"/> Yes, unknown FEMA building type or other building</p> <p><input type="checkbox"/> Yes, score less than cut-off</p> <p><input type="checkbox"/> Yes, other hazards present</p> <p><input type="checkbox"/> No</p> <p>Detailed Nonstructural Evaluation Recommended? (check one)</p> <p><input type="checkbox"/> Yes, nonstructural hazards identified that should be evaluated</p> <p><input type="checkbox"/> No, nonstructural hazards exist that may require mitigation, but a detailed evaluation is not necessary</p> <p><input type="checkbox"/> No, no nonstructural hazards identified <input type="checkbox"/> DNK</p>
--	---	--

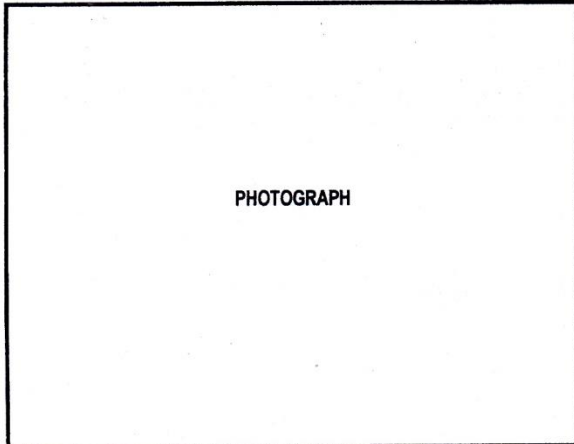
Where information cannot be verified, screener shall note the following: EST = Estimated or unreliable data OR DNK = Do Not Know

Legend: MRF = Moment-resisting frame RC = Reinforced concrete URM INF = Unreinforced masonry infill MH = Manufactured Housing FD = Flexible diaphragm  
BR = Braced frame SW = Shear wall TU = Tilt up LM = Light metal RD = Rigid diaphragm



Rapid Visual Screening of Buildings for Potential Seismic Hazards  
FEMA P-154 Data Collection Form

Level 1  
MODERATELY HIGH Seismicity



Address: Susukan II, Margakaton, Sejagan, Sleman  
Rt 04 / Rw 04 Zip: \_\_\_\_\_  
 Other Identifiers: \_\_\_\_\_  
 Building Name: Bapak Ngadiman  
 Use: Rumah Tinggal  
 Latitude: -7.71299369 Longitude: 110.28812092  
 Ss: 0.849 Si: 0.742  
 Screener(s): Rivan Faisal N Date/Time: 11 Januari 2018

No. Stories: Above Grade: 1 Below Grade: 0 Year Built: 1986  EST  
 Total Floor Area (sq. ft.): 70 m<sup>2</sup> Code Year: \_\_\_\_\_  
 Additions:  None  Yes, Year(s) Built: \_\_\_\_\_

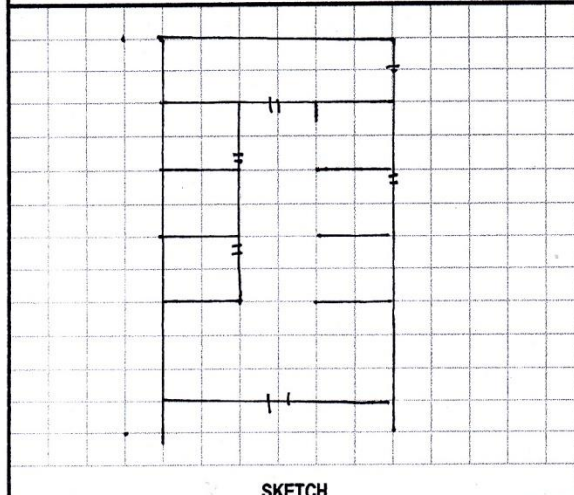
Occupancy: Assembly  Commercial  Emer. Services  Historic  Shelter  
 Industrial  Office  School  Government  
 Utility  Warehouse  Residential # Units: \_\_\_\_\_

Soil Type:  A  B  C  D  E  F  DNK  
 Hard Avg Dense Stiff Soft Poor If DNK, assume Type D.  
 Rock Rock Soil Soil Soil Soil

Geologic Hazards: Liquefaction: Yes/No/DNK Landslide: Yes/No/DNK Surf. Rupt.: Yes/No/DNK  
 Adjacency:  Pounding  Falling Hazards from Taller Adjacent Building  
 Irregularities:  Vertical (type/severity) split level  
 Plan (type)

Exterior Falling Hazards:  Unbraced Chimneys  Heavy Cladding or Heavy Veneer  
 Parapets  Appendages  
 Other: \_\_\_\_\_

COMMENTS:  
 Bangunan sederhana yang memiliki 2 kategori bangunan yaitu RMI dan W1, terdapat beberapa ruangan dipisahkan dengan triplek.



BASIC SCORE, MODIFIERS, AND FINAL LEVEL 1 SCORE, S<sub>L1</sub>

FEMA BUILDING TYPE	Do Not Know	W1	W1A	W2	S1 (MRF)	S2 (BR)	S3 (LM)	S4 (RC SW)	S5 (URM INF)	C1 (MRF)	C2 (SW)	C3 (URM INF)	PC1 (TU)	PC2	RM1 (FD)	RM2 (RD)	URM	MH
Basic Score		4.1	3.7	3.2	2.3	2.2	2.9	2.2	2.0	1.7	2.1	1.4	1.8	1.5	1.8	1.8	1.2	2.2
Severe Vertical Irregularity, V <sub>L1</sub>		-1.3	-1.3	-1.3	-1.1	-1.0	-1.2	-1.0	-0.9	-1.0	-1.1	-0.8	-1.0	-0.9	-1.0	-1.0	-0.8	NA
Moderate Vertical Irregularity, V <sub>L1</sub>		-0.8	-0.8	-0.8	-0.7	-0.6	-0.8	-0.6	-0.6	-0.6	-0.5	-0.6	-0.6	-0.6	-0.6	-0.6	-0.5	NA
Plan Irregularity, P <sub>L1</sub>		-1.3	-1.2	-1.1	-0.9	-0.8	-1.0	-0.8	-0.7	-0.7	-0.9	-0.6	-0.8	-0.7	-0.7	-0.7	-0.5	NA
Pre-Code		-0.8	-0.9	-0.9	-0.5	-0.5	-0.7	-0.6	-0.2	-0.4	-0.7	-0.1	-0.4	-0.3	-0.5	-0.5	-0.1	-0.3
Post-Benchmark		1.5	1.9	2.3	1.4	1.4	1.0	1.9	NA	1.9	2.1	NA	2.1	2.4	2.1	2.1	NA	1.2
Soil Type A or B		0.3	0.6	0.9	0.6	0.9	0.3	0.9	0.9	0.6	0.8	0.7	0.9	0.7	0.8	0.8	0.6	0.9
Soil Type E (1-3 stories)		0.0	-0.1	-0.3	-0.4	-0.5	0.0	-0.4	-0.5	-0.2	-0.2	-0.4	-0.5	-0.3	-0.4	-0.4	-0.3	-0.5
Soil Type E (> 3 stories)		-0.5	-0.8	-1.2	-0.7	-0.7	NA	-0.7	-0.6	-0.6	-0.8	-0.4	NA	-0.5	-0.6	-0.7	-0.3	NA
Minimum Score, S <sub>MIN</sub>		1.6	1.2	0.8	0.5	0.5	0.9	0.5	0.5	0.3	0.3	0.3	0.3	0.2	0.3	0.3	0.2	1.4

FINAL LEVEL 1 SCORE, S<sub>L1</sub> ≥ S<sub>MIN</sub>: 3.3 1.2

<p><b>EXTENT OF REVIEW</b></p> <p>Exterior: <input type="checkbox"/> Partial <input type="checkbox"/> All Sides <input type="checkbox"/> Aerial                  Interior: <input type="checkbox"/> None <input type="checkbox"/> Visible <input type="checkbox"/> Entered                  Drawings Reviewed: <input type="checkbox"/> Yes <input type="checkbox"/> No                  Soil Type Source: _____                  Geologic Hazards Source: _____                  Contact Person: _____</p> <p><b>LEVEL 2 SCREENING PERFORMED?</b></p> <p><input type="checkbox"/> Yes, Final Level 2 Score, S<sub>L2</sub> _____ <input checked="" type="checkbox"/> No                  Nonstructural hazards? <input type="checkbox"/> Yes <input checked="" type="checkbox"/> No</p>	<p><b>OTHER HAZARDS</b></p> <p>Are There Hazards That Trigger A Detailed Structural Evaluation?</p> <p><input type="checkbox"/> Pounding potential (unless S<sub>L2</sub> &gt; cut-off, if known)  <input type="checkbox"/> Falling hazards from taller adjacent building  <input type="checkbox"/> Geologic hazards or Soil Type F  <input type="checkbox"/> Significant damage/deterioration to the structural system</p>	<p><b>ACTION REQUIRED</b></p> <p>Detailed Structural Evaluation Required?</p> <p><input type="checkbox"/> Yes, unknown FEMA building type or other building  <input type="checkbox"/> Yes, score less than cut-off  <input type="checkbox"/> Yes, other hazards present  <input type="checkbox"/> No</p> <p>Detailed Nonstructural Evaluation Recommended? (check one)</p> <p><input type="checkbox"/> Yes, nonstructural hazards identified that should be evaluated  <input type="checkbox"/> No, nonstructural hazards exist that may require mitigation, but a detailed evaluation is not necessary  <input type="checkbox"/> No, no nonstructural hazards identified <input type="checkbox"/> DNK</p>
--	---	--

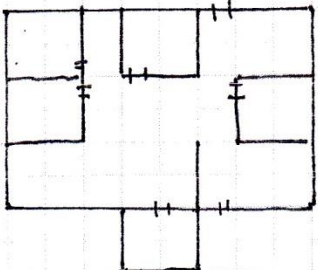
Where information cannot be verified, screener shall note the following: EST = Estimated or unreliable data OR DNK = Do Not Know

Legend: MRF = Moment-resisting frame RC = Reinforced concrete URM INF = Unreinforced masonry infill MH = Manufactured Housing FD = Flexible diaphragm  
 BR = Braced frame SW = Shear wall TU = Tilt up LM = Light metal RD = Rigid diaphragm



Rapid Visual Screening of Buildings for Potential Seismic Hazards  
FEMA P-154 Data Collection Form

Level 1  
MODERATELY HIGH Seismicity

PHOTOGRAPH	Address: <u>Susukan II, Margokaton, Sejegon, Sleman</u> <u>Rt 04/Rw 04</u> Zip: <u>55561</u>
	Other Identifiers: <u>-</u>
SKETCH	Building Name: <u>Bapak Labiman</u>
	Use: <u>Rumah Tinggal</u>
	Latitude: <u>-7.71296909</u> Longitude: <u>110.28795625</u>
	Ss: <u>0.849</u> S1: <u>0.342</u>
Screener(s): <u>Rivan Faisal N</u> Date/Time: <u>11 Januari 2018</u>	
No. Stories: Above Grade: <u>1</u> Below Grade: <u>0</u> Year Built: <u>2000</u> <input type="checkbox"/> EST	
Total Floor Area (sq. ft.): <u>81 m<sup>2</sup></u> Code Year: _____	
Additions: <input type="checkbox"/> None <input type="checkbox"/> Yes, Year(s) Built: _____	
Occupancy: Assembly <input type="checkbox"/> Commercial <input type="checkbox"/> Emer. Services <input type="checkbox"/> Historic <input type="checkbox"/> Shelter Industrial <input type="checkbox"/> Office <input type="checkbox"/> School <input type="checkbox"/> Government Utility <input type="checkbox"/> Warehouse <input checked="" type="checkbox"/> Residential # Units: _____	
Soil Type: <input type="checkbox"/> A <input type="checkbox"/> B <input type="checkbox"/> C <input checked="" type="checkbox"/> D <input type="checkbox"/> E <input type="checkbox"/> F <input type="checkbox"/> DNK Hard Avg Dense Stiff Soft Poor If DNK, assume Type D. Rock Rock Soil Soil Soil Soil	
Geologic Hazards: Liquefaction: Yes/No/DNK Landslide: Yes/No/DNK Surf. Rupt.: Yes/No/DNK	
Adjacency: <input type="checkbox"/> Pounding <input type="checkbox"/> Falling Hazards from Taller Adjacent Building	
Irregularities: <input checked="" type="checkbox"/> Vertical (type/severity) <u>split level</u> <input checked="" type="checkbox"/> Plan (type) <u>T-shaped</u>	
Exterior Falling Hazards: <input type="checkbox"/> Unbraced Chimneys <input type="checkbox"/> Heavy Cladding or Heavy Veneer <input checked="" type="checkbox"/> Parapets <input type="checkbox"/> Appendages <input type="checkbox"/> Other: _____	
COMMENTS: <u>Bangunan dengan kategori RMI dan terdapat falling hazard berupa kanopi</u>	
<input type="checkbox"/> Additional sketches or comments on separate page	

BASIC SCORE, MODIFIERS, AND FINAL LEVEL 1 SCORE, S<sub>L1</sub>

FEMA BUILDING TYPE	Do Not Know	W1	W1A	W2	S1 (MRF)	S2 (BR)	S3 (LM)	S4 (RC SW)	S5 (URM INF)	C1 (MRF)	C2 (SW)	C3 (URM INF)	PC1 (TU)	PC2	RM1 (FD)	RM2 (RD)	URM	MH
Basic Score		4.1	3.7	3.2	2.3	2.2	2.9	2.2	2.0	1.7	2.1	1.4	1.8	1.5	1.8	1.2	2.2	
Severe Vertical Irregularity, V <sub>L1</sub>		-1.3	-1.3	-1.3	-1.1	-1.0	-1.2	-1.0	-0.9	-1.0	-1.1	-0.8	-1.0	-0.9	-1.0	-0.8	NA	
Moderate Vertical Irregularity, V <sub>L1</sub>		-0.8	-0.8	-0.8	-0.7	-0.6	-0.8	-0.6	-0.6	-0.6	-0.5	-0.6	-0.6	-0.6	-0.6	-0.5	NA	
Plan Irregularity, P <sub>L1</sub>		-1.3	-1.2	-1.1	-0.9	-0.8	-1.0	-0.8	-0.7	-0.7	-0.9	-0.6	-0.8	-0.7	-0.7	-0.5	NA	
Pre-Code		-0.8	-0.9	-0.9	-0.5	-0.5	-0.7	-0.6	-0.2	-0.4	-0.7	-0.1	-0.4	-0.3	-0.5	-0.5	-0.1	-0.3
Post-Benchmark		1.5	1.9	2.3	1.4	1.4	1.0	1.9	NA	1.9	2.1	NA	2.1	2.4	2.1	NA	1.2	
Soil Type A or B		0.3	0.6	0.9	0.6	0.9	0.3	0.9	0.9	0.6	0.8	0.7	0.9	0.7	0.8	0.8	0.6	0.9
Soil Type E (1-3 stories)		0.0	-0.1	-0.3	-0.4	-0.5	0.0	-0.4	-0.5	-0.2	-0.2	-0.4	-0.5	-0.3	-0.4	-0.4	-0.3	-0.5
Soil Type E (> 3 stories)		-0.5	-0.8	-1.2	-0.7	-0.7	NA	-0.7	-0.6	-0.6	-0.8	-0.4	NA	-0.5	-0.6	-0.7	-0.3	NA
Minimum Score, S <sub>MIN</sub>		1.6	1.2	0.8	0.5	0.5	0.9	0.5	0.5	0.3	0.3	0.3	0.3	0.2	0.3	0.3	0.2	1.4

FINAL LEVEL 1 SCORE, S<sub>L1</sub> ≥ S<sub>MIN</sub>:

2.6

<p><b>EXTENT OF REVIEW</b></p> <p>Exterior: <input type="checkbox"/> Partial <input type="checkbox"/> All Sides <input type="checkbox"/> Aerial Interior: <input type="checkbox"/> None <input type="checkbox"/> Visible <input type="checkbox"/> Entered Drawings Reviewed: <input type="checkbox"/> Yes <input type="checkbox"/> No Soil Type Source: _____ Geologic Hazards Source: _____ Contact Person: _____</p> <p><b>LEVEL 2 SCREENING PERFORMED?</b></p> <p><input type="checkbox"/> Yes, Final Level 2 Score, S<sub>L2</sub> _____ <input checked="" type="checkbox"/> No Nonstructural hazards? <input type="checkbox"/> Yes <input checked="" type="checkbox"/> No</p>	<p><b>OTHER HAZARDS</b></p> <p>Are There Hazards That Trigger A Detailed Structural Evaluation?</p> <p><input type="checkbox"/> Pounding potential (unless S<sub>L2</sub> &gt; cut-off, if known) <input type="checkbox"/> Falling hazards from taller adjacent building <input type="checkbox"/> Geologic hazards or Soil Type F <input type="checkbox"/> Significant damage/deterioration to the structural system</p>	<p><b>ACTION REQUIRED</b></p> <p>Detailed Structural Evaluation Required?</p> <p><input type="checkbox"/> Yes, unknown FEMA building type or other building <input type="checkbox"/> Yes, score less than cut-off <input type="checkbox"/> Yes, other hazards present <input type="checkbox"/> No</p> <p>Detailed Nonstructural Evaluation Recommended? (check one)</p> <p><input type="checkbox"/> Yes, nonstructural hazards identified that should be evaluated <input type="checkbox"/> No, nonstructural hazards exist that may require mitigation, but a detailed evaluation is not necessary <input type="checkbox"/> No, no nonstructural hazards identified <input type="checkbox"/> DNK</p>
--	--	---

Where information cannot be verified, screener shall note the following: EST = Estimated or unreliable data OR DNK = Do Not Know

Legend: MRF = Moment-resisting frame RC = Reinforced concrete URM INF = Unreinforced masonry infill MH = Manufactured Housing FD = Flexible diaphragm  
BR = Braced frame SW = Shear wall TU = Tilt up LM = Light metal RD = Rigid diaphragm







Rapid Visual Screening of Buildings for Potential Seismic Hazards  
FEMA P-154 Data Collection Form

Level 1  
MODERATELY HIGH Seismicity

PHOTOGRAPH	Address: <u>Surukin II, Margokaton, Seyegon Sleman</u> <u>RT 04 / RW 09</u> Zip: <u>55561</u>
	Other Identifiers: <u>-</u>
	Building Name: <u>Bapak Iran</u>
	Use: <u>Rumah Tinggal</u>
	Latitude: <u>-7.71317498</u> Longitude: <u>110.28776085</u>
	Ss: <u>0.849</u> S1: <u>0.342</u>
	Screeener(s): <u>Rivan Palsai N</u> Date/Time: <u>11 Januari 2018</u>
	No. Stories: Above Grade: <u>1</u> Below Grade: <u>0</u> Year Built: <u>1985</u> <input type="checkbox"/> EST
	Total Floor Area (sq. ft.): <u>98 m<sup>2</sup></u> Code Year: _____
	Additions: <input type="checkbox"/> None <input type="checkbox"/> Yes, Year(s) Built: _____
	Occupancy: Assembly <input type="checkbox"/> Commercial <input type="checkbox"/> Emer. Services <input type="checkbox"/> Historic <input type="checkbox"/> Shelter Industrial <input type="checkbox"/> Office <input type="checkbox"/> School <input type="checkbox"/> Government Utility <input type="checkbox"/> Warehouse <input checked="" type="checkbox"/> Residential # Units: _____
	Soil Type: <input type="checkbox"/> A <input type="checkbox"/> B <input type="checkbox"/> C <input checked="" type="checkbox"/> D <input type="checkbox"/> E <input type="checkbox"/> F <input type="checkbox"/> DNK Hard Avg Dense Stiff Soft Poor If DNK, assume Type D. Rock Rock Soil Soil Soil Soil
	Geologic Hazards: Liquefaction: Yes/No/DNK Landslide: Yes/No/DNK Surf. Rupt.: Yes/No/DNK
	Adjacency: <input type="checkbox"/> Pounding <input type="checkbox"/> Falling Hazards from Taller Adjacent Building
	Irregularities: <input checked="" type="checkbox"/> Vertical (type/severity) <u>split level</u> <input checked="" type="checkbox"/> Plan (type) <u>L-shape</u>
	Exterior Falling Hazards: <input type="checkbox"/> Unbraced Chimneys <input type="checkbox"/> Heavy Cladding or Heavy Veneer <input checked="" type="checkbox"/> Parapets <input type="checkbox"/> Appendages <input type="checkbox"/> Other: _____
	COMMENTS: <u>Bangunan sederhana dengan 2 katarrag' yaitu URM dan RMI. Bangunan depan bertipe joglo dan rangka atap masih menggunakan bambu.</u>
SKETCH	<input type="checkbox"/> Additional sketches or comments on separate page

BASIC SCORE, MODIFIERS, AND FINAL LEVEL 1 SCORE, S <sub>L1</sub>																		
FEMA BUILDING TYPE	Do Not Know	W1	W1A	W2	S1 (MRF)	S2 (BR)	S3 (LM)	S4 (RC SW)	S5 (URM INF)	C1 (MRF)	C2 (SW)	C3 (URM INF)	PC1 (TU)	PC2	RM1 (FD)	RM2 (RD)	URM	MH
Basic Score		4.1	3.7	3.2	2.3	2.2	2.9	2.2	2.0	1.7	2.1	1.4	1.8	1.5	1.8	1.8	1.2	2.2
Severe Vertical Irregularity, V <sub>L1</sub>		-1.3	-1.3	-1.3	-1.1	-1.0	-1.2	-1.0	-0.9	-1.0	-1.1	-0.8	-1.0	-0.9	-1.0	-1.0	-0.8	NA
Moderate Vertical Irregularity, V <sub>L1</sub>		-0.8	-0.8	-0.8	-0.7	-0.6	-0.8	-0.6	-0.6	-0.6	-0.5	-0.6	-0.6	-0.6	-0.6	-0.6	-0.5	NA
Plan Irregularity, P <sub>L1</sub>		-1.3	-1.2	-1.1	-0.9	-0.8	-1.0	-0.8	-0.7	-0.7	-0.9	-0.6	-0.8	-0.7	-0.7	-0.7	-0.5	NA
Pre-Code		-0.8	-0.9	-0.9	-0.5	-0.5	-0.7	-0.6	-0.2	-0.4	-0.7	-0.1	-0.4	-0.3	-0.5	-0.5	-0.1	-0.3
Post-Benchmark		1.5	1.9	2.3	1.4	1.4	1.0	1.9	NA	1.9	2.1	NA	2.1	2.4	2.1	2.1	NA	1.2
Soil Type A or B		0.3	0.6	0.9	0.6	0.9	0.3	0.9	0.9	0.6	0.8	0.7	0.9	0.7	0.8	0.8	0.6	0.9
Soil Type E (1-3 stories)		0.0	-0.1	-0.3	-0.4	-0.5	0.0	-0.4	-0.5	-0.2	-0.2	-0.4	-0.5	-0.3	-0.4	-0.4	-0.3	-0.5
Soil Type E (> 3 stories)		-0.5	-0.8	-1.2	-0.7	-0.7	NA	-0.7	-0.6	-0.6	-0.8	-0.4	NA	-0.5	-0.6	-0.7	-0.3	NA
Minimum Score, S <sub>MIN</sub>		1.6	1.2	0.8	0.5	0.5	0.9	0.5	0.5	0.3	0.3	0.3	0.3	0.2	0.3	0.3	0.2	1.4

FINAL LEVEL 1 SCORE, S<sub>L1</sub> ≥ S<sub>MIN</sub>: 0.5      0.2

<p><b>EXTENT OF REVIEW</b></p> <p>Exterior: <input type="checkbox"/> Partial <input type="checkbox"/> All Sides <input type="checkbox"/> Aerial Interior: <input type="checkbox"/> None <input type="checkbox"/> Visible <input type="checkbox"/> Entered Drawings Reviewed: <input type="checkbox"/> Yes <input type="checkbox"/> No Soil Type Source: _____ Geologic Hazards Source: _____ Contact Person: _____</p> <p><b>LEVEL 2 SCREENING PERFORMED?</b></p> <p><input type="checkbox"/> Yes, Final Level 2 Score, S<sub>L2</sub> _____ <input checked="" type="checkbox"/> No Nonstructural hazards? <input type="checkbox"/> Yes <input checked="" type="checkbox"/> No</p>	<p><b>OTHER HAZARDS</b></p> <p>Are There Hazards That Trigger A Detailed Structural Evaluation?</p> <p><input type="checkbox"/> Pounding potential (unless S<sub>L2</sub> &gt; cut-off, if known) <input type="checkbox"/> Falling hazards from taller adjacent building <input type="checkbox"/> Geologic hazards or Soil Type F <input type="checkbox"/> Significant damage/deterioration to the structural system</p>	<p><b>ACTION REQUIRED</b></p> <p>Detailed Structural Evaluation Required?</p> <p><input type="checkbox"/> Yes, unknown FEMA building type or other building <input type="checkbox"/> Yes, score less than cut-off <input type="checkbox"/> Yes, other hazards present <input type="checkbox"/> No</p> <p>Detailed Nonstructural Evaluation Recommended? (check one)</p> <p><input type="checkbox"/> Yes, nonstructural hazards identified that should be evaluated <input type="checkbox"/> No, nonstructural hazards exist that may require mitigation, but a detailed evaluation is not necessary <input type="checkbox"/> No, no nonstructural hazards identified <input type="checkbox"/> DNK</p>
--	--	---

Where information cannot be verified, screener shall note the following: EST = Estimated or unreliable data OR DNK = Do Not Know

Legend: MRF = Moment-resisting frame RC = Reinforced concrete URM INF = Unreinforced masonry infill MH = Manufactured Housing FD = Flexible diaphragm  
BR = Braced frame SW = Shear wall TU = Tilt up LM = Light metal RD = Rigid diaphragm



Rapid Visual Screening of Buildings for Potential Seismic Hazards  
FEMA P-154 Data Collection Form

Level 1  
MODERATELY HIGH Seismicity

Address: Subukan II, Margokaton, seyegan, Sleman  
RT 09 / RW 09 Zip: 55561

Other Identifiers: -

Building Name: Bapak Tukjo

Use: Rumah Tinggal

Latitude: -7.71293998 Longitude: 110.28785899

Ss: 0.849 S1: 0.342

Screener(s): Rivan Fauzi N Date/Time: 11 Januari 2018

No. Stories: Above Grade: 1 Below Grade: 0 Year Built: 1990 EST

Total Floor Area (sq. ft.): 57 m<sup>2</sup> Code Year: \_\_\_\_\_

Additions:  None  Yes, Year(s) Built: \_\_\_\_\_

Occupancy: Assembly  Commercial  Emer. Services  Historic  Shelter  
Industrial  Office  School  Government  
Utility  Warehouse  Residential # Units: \_\_\_\_\_

Soil Type:  A  B  C  D  E  F  DNK  
Hard Avg Dense Stiff Soft Poor If DNK, assume Type D.  
Rock Rock Soil Soil Soil Soil

Geologic Hazards: Liquefaction: Yes/No/DNK Landslide: Yes/No/DNK Surf. Rupt.: Yes/No/DNK

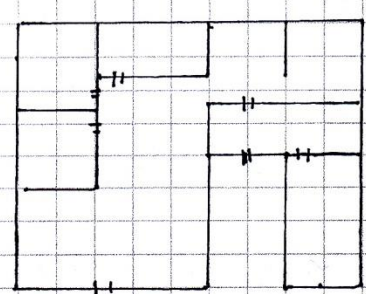
Adjacency:  Pounding  Falling Hazards from Taller Adjacent Building

Irregularities:  Vertical (type/severity) split level  
 Plan (type) U-shape

Exterior Falling Hazards:  Unbraced Chimneys  Heavy Cladding or Heavy Veneer  
 Parapets  Appendages  
 Other: \_\_\_\_\_

COMMENTS:  
Bangunan sederhana yang sebelumnya kategori URM kemudian dibangun kembali dengan kategori RMI dan material atap yang digunakan adalah seng dan asbes.

PHOTOGRAPH



SKETCH

Additional sketches or comments on separate page

BASIC SCORE, MODIFIERS, AND FINAL LEVEL 1 SCORE, S<sub>L1</sub>

FEMA BUILDING TYPE	Do Not Know	W1	W1A	W2	S1 (MRF)	S2 (BR)	S3 (LM)	S4 (RC SW)	S5 (URM INF)	C1 (MRF)	C2 (SW)	C3 (URM INF)	PC1 (TU)	PC2	RM1 (FD)	RM2 (RD)	URM	MH
Basic Score		4.1	3.7	3.2	2.3	2.2	2.9	2.2	2.0	1.7	2.1	1.4	1.8	1.5	1.8	1.8	1.2	2.2
Severe Vertical Irregularity, V <sub>L1</sub>		-1.3	-1.3	-1.3	-1.1	-1.0	-1.2	-1.0	-0.9	-1.0	-1.1	-0.8	-1.0	-0.9	-1.0	-1.0	-0.8	NA
Moderate Vertical Irregularity, V <sub>L1</sub>		-0.8	-0.8	-0.8	-0.7	-0.6	-0.8	-0.6	-0.6	-0.6	-0.5	-0.6	-0.6	-0.6	-0.6	-0.6	-0.5	NA
Plan Irregularity, P <sub>L1</sub>		-1.3	-1.2	-1.1	-0.9	-0.8	-1.0	-0.8	-0.7	-0.7	-0.9	-0.6	-0.8	-0.7	-0.7	-0.7	-0.5	NA
Pre-Code		-0.8	-0.9	-0.9	-0.5	-0.5	-0.7	-0.6	-0.2	-0.4	-0.7	-0.1	-0.4	-0.3	-0.5	-0.5	-0.1	-0.3
Post-Benchmark		1.5	1.9	2.3	1.4	1.4	1.0	1.9	NA	1.9	2.1	NA	2.1	2.4	2.1	2.1	NA	1.2
Soil Type A or B		0.3	0.6	0.9	0.6	0.9	0.3	0.9	0.9	0.6	0.8	0.7	0.9	0.7	0.8	0.8	0.6	0.9
Soil Type E (1-3 stories)		0.0	-0.1	-0.3	-0.4	-0.5	0.0	-0.4	-0.5	-0.2	-0.2	-0.4	-0.5	-0.3	-0.4	-0.4	-0.3	-0.5
Soil Type E (> 3 stories)		-0.5	-0.8	-1.2	-0.7	-0.7	NA	-0.7	-0.6	-0.6	-0.8	-0.4	NA	-0.5	-0.6	-0.7	-0.3	NA
Minimum Score, S <sub>MIN</sub>		1.6	1.2	0.8	0.5	0.5	0.9	0.5	0.5	0.3	0.3	0.3	0.3	0.2	0.3	0.3	0.2	1.4

FINAL LEVEL 1 SCORE, S<sub>L1</sub> ≥ S<sub>MIN</sub>:

0.5

<p><b>EXTENT OF REVIEW</b></p> <p>Exterior: <input type="checkbox"/> Partial <input type="checkbox"/> All Sides <input type="checkbox"/> Aerial Interior: <input type="checkbox"/> None <input type="checkbox"/> Visible <input type="checkbox"/> Entered Drawings Reviewed: <input type="checkbox"/> Yes <input type="checkbox"/> No Soil Type Source: _____ Geologic Hazards Source: _____ Contact Person: _____</p> <p><b>LEVEL 2 SCREENING PERFORMED?</b></p> <p><input type="checkbox"/> Yes, Final Level 2 Score, S<sub>L2</sub> _____ <input checked="" type="checkbox"/> No Nonstructural hazards? <input type="checkbox"/> Yes <input checked="" type="checkbox"/> No</p>	<p><b>OTHER HAZARDS</b></p> <p>Are There Hazards That Trigger A Detailed Structural Evaluation?</p> <p><input type="checkbox"/> Pounding potential (unless S<sub>L2</sub> &gt; cut-off, if known) <input type="checkbox"/> Falling hazards from taller adjacent building <input type="checkbox"/> Geologic hazards or Soil Type F <input type="checkbox"/> Significant damage/deterioration to the structural system</p>	<p><b>ACTION REQUIRED</b></p> <p>Detailed Structural Evaluation Required?</p> <p><input type="checkbox"/> Yes, unknown FEMA building type or other building <input type="checkbox"/> Yes, score less than cut-off <input type="checkbox"/> Yes, other hazards present <input type="checkbox"/> No</p> <p>Detailed Nonstructural Evaluation Recommended? (check one)</p> <p><input type="checkbox"/> Yes, nonstructural hazards identified that should be evaluated <input type="checkbox"/> No, nonstructural hazards exist that may require mitigation, but a detailed evaluation is not necessary <input type="checkbox"/> No, no nonstructural hazards identified <input type="checkbox"/> DNK</p>
--	--	---

Where information cannot be verified, screener shall note the following: EST = Estimated or unreliable data OR DNK = Do Not Know

Legend: MRF = Moment-resisting frame RC = Reinforced concrete URM INF = Unreinforced masonry infill MH = Manufactured Housing FD = Flexible diaphragm  
BR = Braced frame SW = Shear wall TU = Tilt up LM = Light metal RD = Rigid diaphragm



Rapid Visual Screening of Buildings for Potential Seismic Hazards  
FEMA P-154 Data Collection Form

Level 1  
MODERATELY HIGH Seismicity

PHOTOGRAPH	Address: <u>Susukan II, Margakaton, Seyegan, Sleman</u> <u>RT 05/ RW 04</u> Zip: <u>55561</u>
	Other Identifiers: <u>-</u>
	Building Name: <u>Bapak Komar</u>
	Use: <u>Rumah Tinggal</u>
	Latitude: <u>-7.71274189</u> Longitude: <u>110.28794557</u>
	Ss: <u>0.848</u> Si: <u>0.392</u>
	Screeener(s): <u>Rivan Faisal N</u> Date/Time: <u>11 Januari 2018</u>
	No. Stories: Above Grade: <u>1</u> Below Grade: <u>0</u> Year Built: <u>1968</u> <input type="checkbox"/> EST
	Total Floor Area (sq. ft.): <u>120,5 m<sup>2</sup></u> Code Year: _____
	Additions: <input type="checkbox"/> None <input type="checkbox"/> Yes, Year(s) Built: _____
	Occupancy: Assembly <input type="checkbox"/> Commercial <input type="checkbox"/> Emer. Services <input type="checkbox"/> Historic <input type="checkbox"/> Shelter Industrial <input type="checkbox"/> Office <input type="checkbox"/> School <input type="checkbox"/> Government Utility <input type="checkbox"/> Warehouse <input checked="" type="checkbox"/> Residential, # Units: _____
	Soil Type: <input type="checkbox"/> A <input type="checkbox"/> B <input type="checkbox"/> C <input checked="" type="checkbox"/> D <input type="checkbox"/> E <input type="checkbox"/> F <input type="checkbox"/> DNK Hard Avg Dense Stiff Soft Poor If DNK, assume Type D. Rock Rock Soil Soil Soil Soil
	Geologic Hazards: Liquefaction: Yes/No/DNK Landslide: Yes/No/DNK Surf. Rupt.: Yes/No/DNK
	Adjacency: <input type="checkbox"/> Pounding <input type="checkbox"/> Falling Hazards from Taller Adjacent Building
	Irregularities: <input type="checkbox"/> Vertical (type/severity) _____ <input type="checkbox"/> Plan (type) _____
	Exterior Falling Hazards: <input type="checkbox"/> Unbraced Chimneys <input type="checkbox"/> Heavy Cladding or Heavy Veneer <input checked="" type="checkbox"/> Parapets <input type="checkbox"/> Appendages <input type="checkbox"/> Other: _____
	COMMENTS: <u>Bangunan sederhana dengan kategori URM, bangunan bertipe joglo dan terdapat beberapa retakan pada dinding serta terdapat kayu penyangga yang sudah lapuk atau keropos.</u>
SKETCH	<input type="checkbox"/> Additional sketches or comments on separate page

BASIC SCORE, MODIFIERS, AND FINAL LEVEL 1 SCORE, S <sub>L1</sub>																		
FEMA BUILDING TYPE	Do Not Know	W1	W1A	W2	S1 (MRF)	S2 (BR)	S3 (LM)	S4 (RC, SW)	S5 (URM, INF)	C1 (MRF)	C2 (SW)	C3 (URM, INF)	PC1 (TU)	PC2	RM1 (FD)	RM2 (RD)	URM	MH
<b>Basic Score</b>		4.1	3.7	3.2	2.3	2.2	2.9	2.2	2.0	1.7	2.1	1.4	1.8	1.5	1.8	1.8	1.2	2.2
Severe Vertical Irregularity, V <sub>L1</sub>		-1.3	-1.3	-1.3	-1.1	-1.0	-1.2	-1.0	-0.9	-1.0	-1.1	-0.8	-1.0	-0.9	-1.0	-1.0	-0.8	NA
Moderate Vertical Irregularity, V <sub>L1</sub>		-0.8	-0.8	-0.8	-0.7	-0.6	-0.8	-0.6	-0.6	-0.6	-0.6	-0.5	-0.6	-0.6	-0.6	-0.6	-0.5	NA
Plan Irregularity, P <sub>L1</sub>		-1.3	-1.2	-1.1	-0.9	-0.8	-1.0	-0.8	-0.7	-0.7	-0.9	-0.6	-0.8	-0.7	-0.7	-0.7	-0.5	NA
Pre-Code		-0.8	-0.9	-0.9	-0.5	-0.5	-0.7	-0.6	-0.2	-0.4	-0.7	-0.1	-0.4	-0.3	-0.5	-0.5	-0.1	-0.3
Post-Benchmark		1.5	1.9	2.3	1.4	1.4	1.0	1.9	NA	1.9	2.1	NA	2.1	2.4	2.1	2.1	NA	1.2
Soil Type A or B		0.3	0.6	0.9	0.6	0.9	0.3	0.9	0.9	0.6	0.8	0.7	0.9	0.7	0.8	0.8	0.6	0.9
Soil Type E (1-3 stories)		0.0	-0.1	-0.3	-0.4	-0.5	0.0	-0.4	-0.5	-0.2	-0.2	-0.4	-0.5	-0.3	-0.4	-0.4	-0.3	-0.5
Soil Type E (> 3 stories)		-0.5	-0.8	-1.2	-0.7	-0.7	NA	-0.7	-0.6	-0.6	-0.8	-0.4	NA	-0.5	-0.6	-0.7	-0.3	NA
Minimum Score, S <sub>MIN</sub>		1.6	1.2	0.8	0.5	0.5	0.9	0.5	0.5	0.3	0.3	0.3	0.3	0.2	0.3	0.3	0.2	1.4

FINAL LEVEL 1 SCORE, S<sub>L1</sub> ≥ S<sub>MIN</sub>: 1,1

<p><b>EXTENT OF REVIEW</b></p> <p>Exterior: <input type="checkbox"/> Partial <input type="checkbox"/> All Sides <input type="checkbox"/> Aerial Interior: <input type="checkbox"/> None <input type="checkbox"/> Visible <input type="checkbox"/> Entered</p> <p>Drawings Reviewed: <input type="checkbox"/> Yes <input type="checkbox"/> No</p> <p>Soil Type Source: _____</p> <p>Geologic Hazards Source: _____</p> <p>Contact Person: _____</p> <p><b>LEVEL 2 SCREENING PERFORMED?</b></p> <p><input type="checkbox"/> Yes, Final Level 2 Score, S<sub>L2</sub> _____ <input checked="" type="checkbox"/> No Nonstructural hazards? <input type="checkbox"/> Yes <input checked="" type="checkbox"/> No</p>	<p><b>OTHER HAZARDS</b></p> <p>Are There Hazards That Trigger A Detailed Structural Evaluation?</p> <p><input type="checkbox"/> Pounding potential (unless S<sub>L2</sub> &gt; cut-off, if known)</p> <p><input type="checkbox"/> Falling hazards from taller adjacent building</p> <p><input type="checkbox"/> Geologic hazards or Soil Type F</p> <p><input type="checkbox"/> Significant damage/deterioration to the structural system</p>	<p><b>ACTION REQUIRED</b></p> <p>Detailed Structural Evaluation Required?</p> <p><input type="checkbox"/> Yes, unknown FEMA building type or other building</p> <p><input type="checkbox"/> Yes, score less than cut-off</p> <p><input type="checkbox"/> Yes, other hazards present</p> <p><input type="checkbox"/> No</p> <p>Detailed Nonstructural Evaluation Recommended? (check one)</p> <p><input type="checkbox"/> Yes, nonstructural hazards identified that should be evaluated</p> <p><input type="checkbox"/> No, nonstructural hazards exist that may require mitigation, but a detailed evaluation is not necessary</p> <p><input type="checkbox"/> No, no nonstructural hazards identified <input type="checkbox"/> DNK</p>
--	---	--

Where information cannot be verified, screener shall note the following: EST = Estimated or unreliable data OR DNK = Do Not Know

Legend: MRF = Moment-resisting frame RC = Reinforced concrete URM INF = Unreinforced masonry infill MH = Manufactured Housing FD = Flexible diaphragm  
BR = Braced frame SW = Shear wall TU = Tilt up LM = Light metal RD = Rigid diaphragm



Rapid Visual Screening of Buildings for Potential Seismic Hazards  
FEMA P-154 Data Collection Form

Level 1  
MODERATELY HIGH Seismicity

PHOTOGRAPH	Address: <u>Susukan II Margokaton, Slejegan, Sleman</u> <u>RT 05/RW 04</u> Zip: <u>55561</u>
	Other Identifiers: <u>-</u>
	Building Name: <u>Bapak Ali</u>
	Use: <u>Rumah Tinggal</u>
	Latitude: <u>-7.71276709</u> Longitude: <u>110.28783451</u>
	Ss: <u>0.049</u> S1: <u>0.342</u>
	Screeener(s): <u>Rivan Fauzan N</u> Date/Time: <u>11 Januari 2018</u>
	No. Stories: Above Grade: <u>1</u> Below Grade: <u>0</u> Year Built: <u>1970</u> <input type="checkbox"/> EST
	Total Floor Area (sq. ft.): <u>180 m<sup>2</sup></u> Code Year: _____
	Additions: <input type="checkbox"/> None <input type="checkbox"/> Yes, Year(s) Built: _____
	Occupancy: Assembly <input type="checkbox"/> Commercial <input type="checkbox"/> Emer. Services <input type="checkbox"/> Historic <input type="checkbox"/> Shelter Industrial <input type="checkbox"/> Office <input type="checkbox"/> School <input type="checkbox"/> Government Utility <input type="checkbox"/> Warehouse <input checked="" type="checkbox"/> Residential # Units: _____
	Soil Type: <input type="checkbox"/> A <input type="checkbox"/> B <input type="checkbox"/> C <input checked="" type="checkbox"/> D <input type="checkbox"/> E <input type="checkbox"/> F <input type="checkbox"/> DNK Hard Avg Dense Stiff Soft Poor If DNK, assume Type D. Rock Rock Soil Soil Soil Soil
	Geologic Hazards: Liquefaction: Yes/No/DNK Landslide: Yes/No/DNK Surf. Rupt.: Yes/No/DNK
	Adjacency: <input type="checkbox"/> Pounding <input type="checkbox"/> Falling Hazards from Taller Adjacent Building
	Irregularities: <input checked="" type="checkbox"/> Vertical (type/severity) <u>SPLIT LEVEL</u> <input checked="" type="checkbox"/> Plan (type) <u>T-shape dan large opening</u>
	Exterior Falling Hazards: <input type="checkbox"/> Unbraced Chimneys <input type="checkbox"/> Heavy Cladding or Heavy Veneer <input checked="" type="checkbox"/> Parapets <input type="checkbox"/> Appendages <input type="checkbox"/> Other: _____
	COMMENTS: <u>Bangunan sederhana dengan kategori URM dan bertipe joglo. Terdapat beberapa retakan dinding serta beberapa kayu penyangga bangunan yang lapuk, rangka atap masih menggunakan bambu dan ruangan hanya dipisahkan dengan triplek</u>
	<input type="checkbox"/> Additional sketches or comments on separate page

**BASIC SCORE, MODIFIERS, AND FINAL LEVEL 1 SCORE, S<sub>L1</sub>**

FEMA BUILDING TYPE	Do Not Know	W1	W1A	W2	S1 (MRF)	S2 (BR)	S3 (LM)	S4 (RC SW)	S5 (URM INF)	C1 (MRF)	C2 (SW)	C3 (URM INF)	PC1 (TU)	PC2	RM1 (FD)	RM2 (RD)	URM	MH
<b>Basic Score</b>		4.1	3.7	3.2	2.3	2.2	2.9	2.2	2.0	1.7	2.1	1.4	1.8	1.5	1.8	1.8	1.2	2.2
Severe Vertical Irregularity, V <sub>L1</sub>		-1.3	-1.3	-1.3	-1.1	-1.0	-1.2	-1.0	-0.9	-1.0	-1.1	-0.8	-1.0	-0.9	-1.0	-1.0	-0.8	NA
Moderate Vertical Irregularity, V <sub>L1</sub>		-0.8	-0.8	-0.8	-0.7	-0.6	-0.8	-0.6	-0.6	-0.6	-0.6	-0.5	-0.6	-0.6	-0.6	-0.6	0.5	NA
Plan Irregularity, P <sub>L1</sub>		-1.3	-1.2	-1.1	-0.9	-0.8	-1.0	-0.8	-0.7	-0.7	-0.9	-0.6	-0.8	-0.7	-0.7	-0.7	0.5	NA
Pre-Code		-0.8	-0.9	-0.9	-0.5	-0.5	-0.7	-0.6	-0.2	-0.4	-0.7	-0.1	-0.4	-0.3	-0.5	-0.5	0.1	-0.3
Post-Benchmark		1.5	1.9	2.3	1.4	1.4	1.0	1.9	NA	1.9	2.1	NA	2.1	2.4	2.1	2.1	NA	1.2
Soil Type A or B		0.3	0.6	0.9	0.6	0.9	0.3	0.9	0.9	0.6	0.8	0.7	0.9	0.7	0.8	0.8	0.6	0.9
Soil Type E (1-3 stories)		0.0	-0.1	-0.3	-0.4	-0.5	0.0	-0.4	-0.5	-0.2	-0.2	-0.4	-0.5	-0.3	-0.4	-0.4	-0.3	-0.5
Soil Type E (> 3 stories)		-0.5	-0.8	-1.2	-0.7	-0.7	NA	-0.7	-0.6	-0.6	-0.8	-0.4	NA	-0.5	-0.6	-0.7	-0.3	NA
Minimum Score, S <sub>MIN</sub>		1.6	1.2	0.8	0.5	0.5	0.9	0.5	0.5	0.3	0.3	0.3	0.3	0.2	0.3	0.3	0.2	1.4

FINAL LEVEL 1 SCORE, S<sub>L1</sub> ≥ S<sub>MIN</sub>: 0.1

<p><b>EXTENT OF REVIEW</b></p> <p>Exterior: <input type="checkbox"/> Partial <input type="checkbox"/> All Sides <input type="checkbox"/> Aerial Interior: <input type="checkbox"/> None <input type="checkbox"/> Visible <input type="checkbox"/> Entered Drawings Reviewed: <input type="checkbox"/> Yes <input type="checkbox"/> No Soil Type Source: _____ Geologic Hazards Source: _____ Contact Person: _____</p> <p><b>LEVEL 2 SCREENING PERFORMED?</b></p> <p><input type="checkbox"/> Yes, Final Level 2 Score, S<sub>L2</sub> _____ <input checked="" type="checkbox"/> No Nonstructural hazards? <input type="checkbox"/> Yes <input checked="" type="checkbox"/> No</p>	<p><b>OTHER HAZARDS</b></p> <p>Are There Hazards That Trigger A Detailed Structural Evaluation?</p> <p><input type="checkbox"/> Pounding potential (unless S<sub>L2</sub> &gt; cut-off, if known) <input type="checkbox"/> Falling hazards from taller adjacent building <input type="checkbox"/> Geologic hazards or Soil Type F <input type="checkbox"/> Significant damage/deterioration to the structural system</p>	<p><b>ACTION REQUIRED</b></p> <p>Detailed Structural Evaluation Required?</p> <p><input type="checkbox"/> Yes, unknown FEMA building type or other building <input type="checkbox"/> Yes, score less than cut-off <input type="checkbox"/> Yes, other hazards present <input type="checkbox"/> No</p> <p>Detailed Nonstructural Evaluation Recommended? (check one)</p> <p><input type="checkbox"/> Yes, nonstructural hazards identified that should be evaluated <input type="checkbox"/> No, nonstructural hazards exist that may require mitigation, but a detailed evaluation is not necessary <input type="checkbox"/> No, no nonstructural hazards identified <input type="checkbox"/> DNK</p>
--	--	---

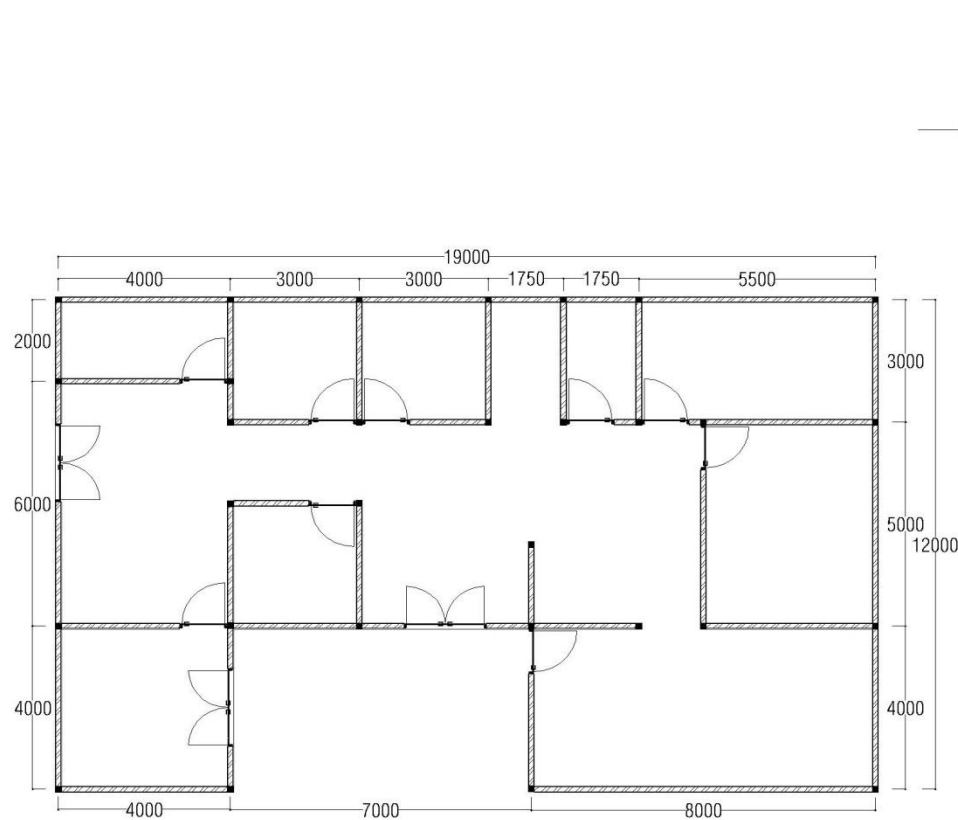
Where information cannot be verified, screener shall note the following: EST = Estimated or unreliable data OR DNK = Do Not Know

Legend: MRF = Moment-resisting frame RC = Reinforced concrete URM INF = Unreinforced masonry infill MH = Manufactured Housing FD = Flexible diaphragm  
BR = Braced frame SW = Shear wall TU = Tilt up LM = Light metal RD = Rigid diaphragm









01 DENAH RUMAH BAPAK SUTRAT  
SKALA 1 : 150



### Tugas Akhir

Studi Kerentanan Bangunan  
Permukiman Terhadap Gempa  
Berdasarkan FEMA P-154 2015

### Nama Mahasiswa

Rivan Faisal Nugroho  
20140110129

### Dosen Pembimbing

1. Dr. M. Heri Zulfiar, S.T., M.T.
2. Fanny Monika, S.T., M.Eng

### Skala

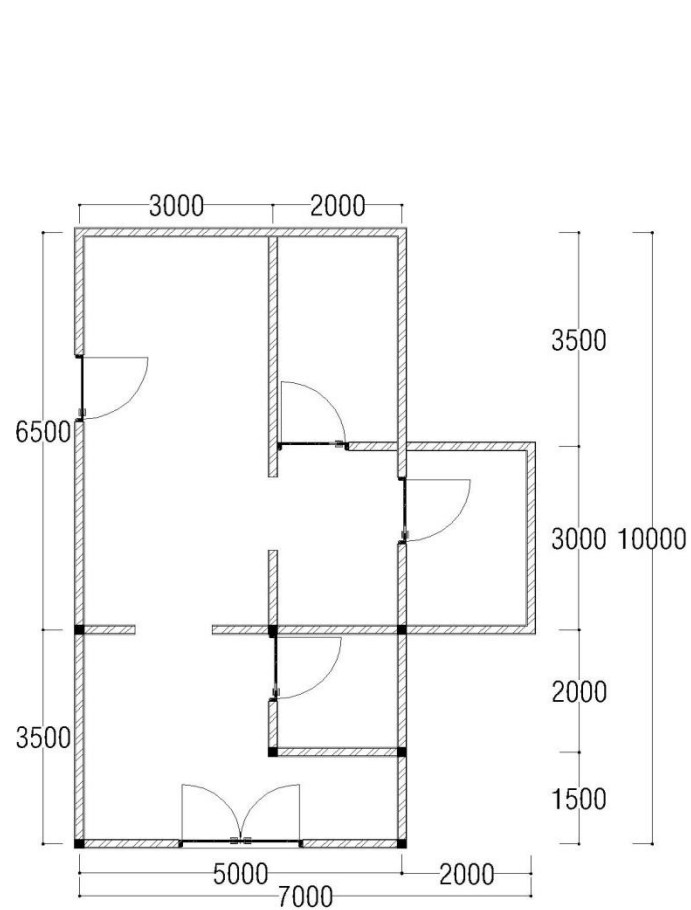
1:150

### Judul Gambar

Denah Rumah  
Bapak Sutrat

### Keterangan





02 DENAH RUMAH BAPAK DARMO  
SKALA 1 : 100



### Tugas Akhir

Studi Kerentanan Bangunan  
Permukiman Terhadap Gempa  
Berdasarkan FEMA P-154 2015

### Nama Mahasiswa

Rivan Faisal Nugroho  
20140110129

### Dosen Pembimbing

1. Dr. M. Heri Zulfiar, S.T.,M.T.
2. Fanny Monika, S.T., M.Eng

### Skala

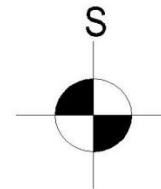
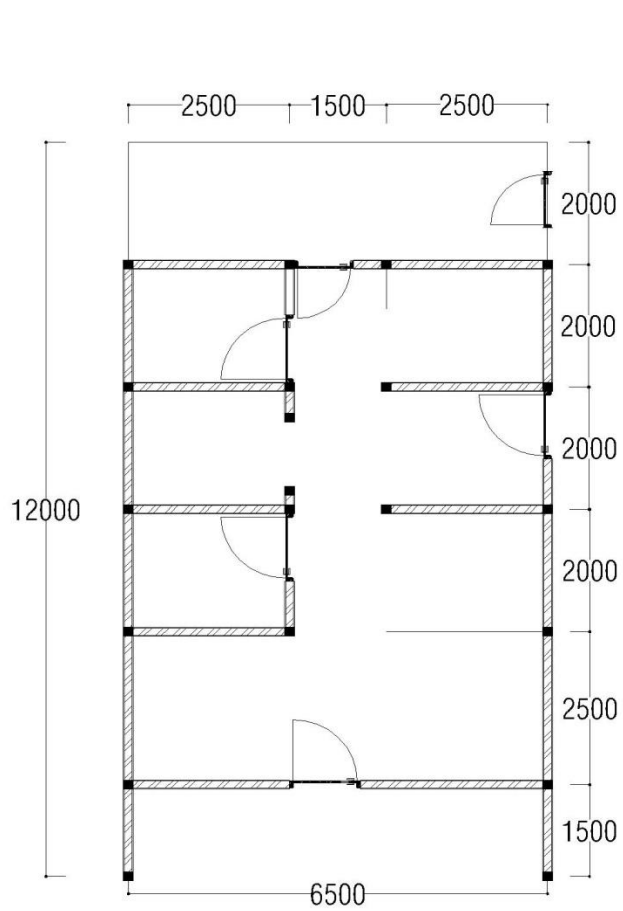
1:100

### Judul Gambar

Denah Rumah  
Bapak Darmo

### Keterangan





03 DENAH RUMAH BAPAK NGADIMAN  
SKALA 1 : 100



### Tugas Akhir

Studi Kerentanan Bangunan  
Permukiman Terhadap Gempa  
Berdasarkan FEMA P-154 2015

### Nama Mahasiswa

Rivan Faisal Nugroho  
20140110129

### Dosen Pembimbing

1. Dr. M. Heri Zulfiar, S.T.,M.T.
2. Fanny Monika, S.T., M.Eng

### Skala

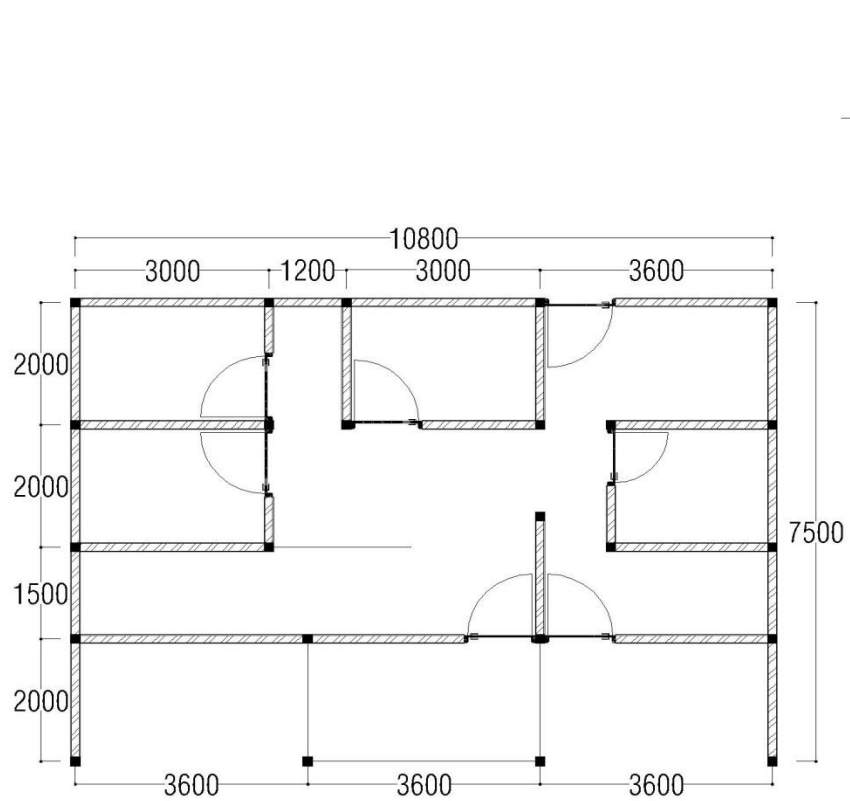
1:100

### Judul Gambar

Denah Rumah  
Bapak Ngadiman

### Keterangan





04 DENAH RUMAH BAPAK LASIMAN  
SKALA 1 : 100



**Tugas Akhir**

Studi Kerentanan Bangunan  
Permukiman Terhadap Gempa  
Berdasarkan FEMA P-154 2015

**Nama Mahasiswa**

Rivan Faisal Nugroho  
20140110129

**Dosen Pembimbing**

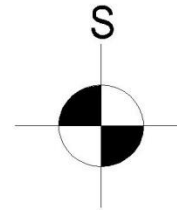
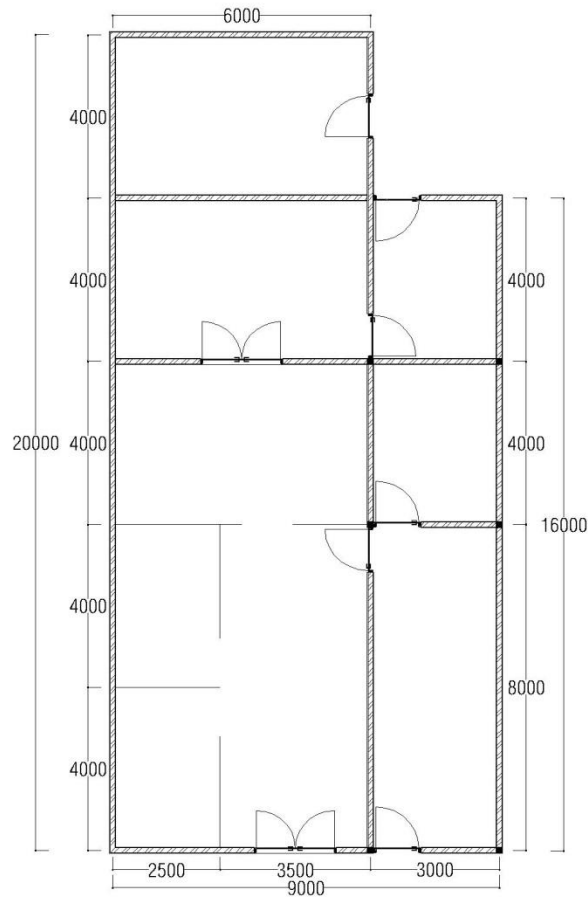
1. Dr. M. Heri Zulfiar, S.T.,M.T.
2. Fanny Monika, S.T., M.Eng

Skala	Judul Gambar
1:100	Denah Rumah Bapak Lasiman

**Keterangan**

--





05 DENAH RUMAH BAPAK HARJO  
SKALA 1 : 150



### Tugas Akhir

Studi Kerentanan Bangunan  
Perumahan Terhadap Gempa  
Berdasarkan FEMA P-154 2015

### Nama Mahasiswa

Rivan Faisal Nugroho  
20140110129

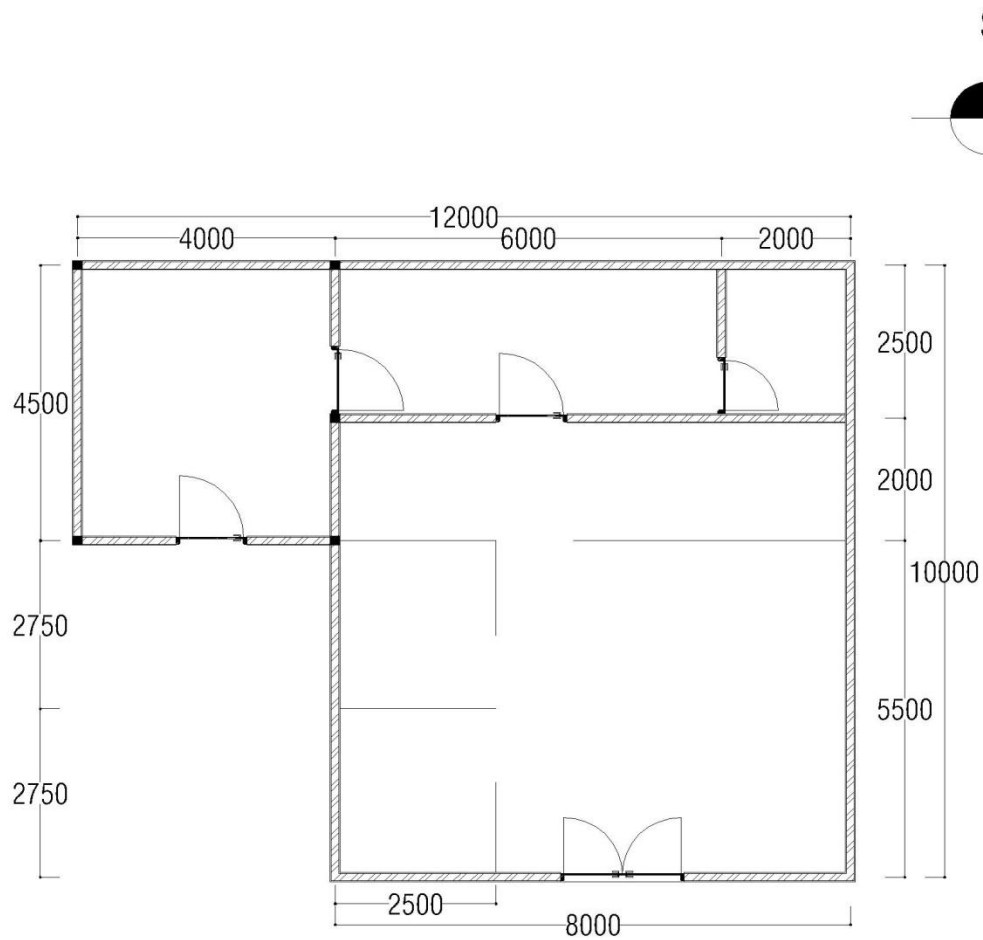
### Dosen Pembimbing

1. Dr. M. Heri Zulfiar, S.T., M.T.
2. Fanny Monika, S.T., M.Eng

Skala	Judul Gambar
1:150	Denah Rumah Bapak Harjo

### Keterangan





06 DENAH RUMAH BAPAK IRAN  
SKALA 1 : 100



### Tugas Akhir

Studi Kerentanan Bangunan  
Permukiman Terhadap Gempa  
Berdasarkan FEMA P-154 2015

### Nama Mahasiswa

Rivan Faisal Nugroho  
20140110129

### Dosen Pembimbing

1. Dr. M. Heri Zulfiar, S.T., M.T.

2. Fanny Monika, S.T., M.Eng

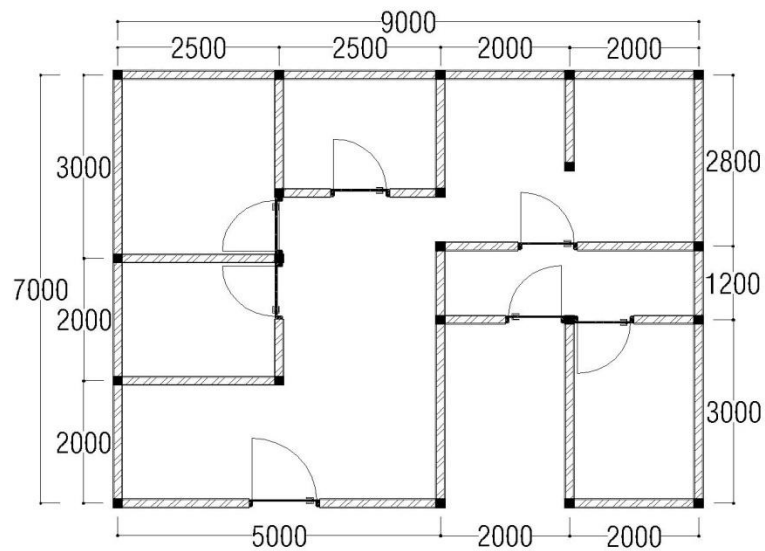
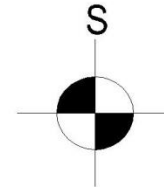
### Skala

1:100

### Judul Gambar

Denah Rumah  
Bapak Iran

### Keterangan



07 DENAH RUMAH BAPAK TUKIJO  
SKALA 1 : 100



### Tugas Akhir

Studi Kerentanan Bangunan  
Permukiman Terhadap Gempa  
Berdasarkan FEMA P-154 2015

### Nama Mahasiswa

Rivan Faisal Nugroho  
20140110129

### Dosen Pembimbing

1. Dr. M. Heri Zulfiar, S.T.,M.T.

2. Fanny Monika, S.T., M.Eng

### Skala

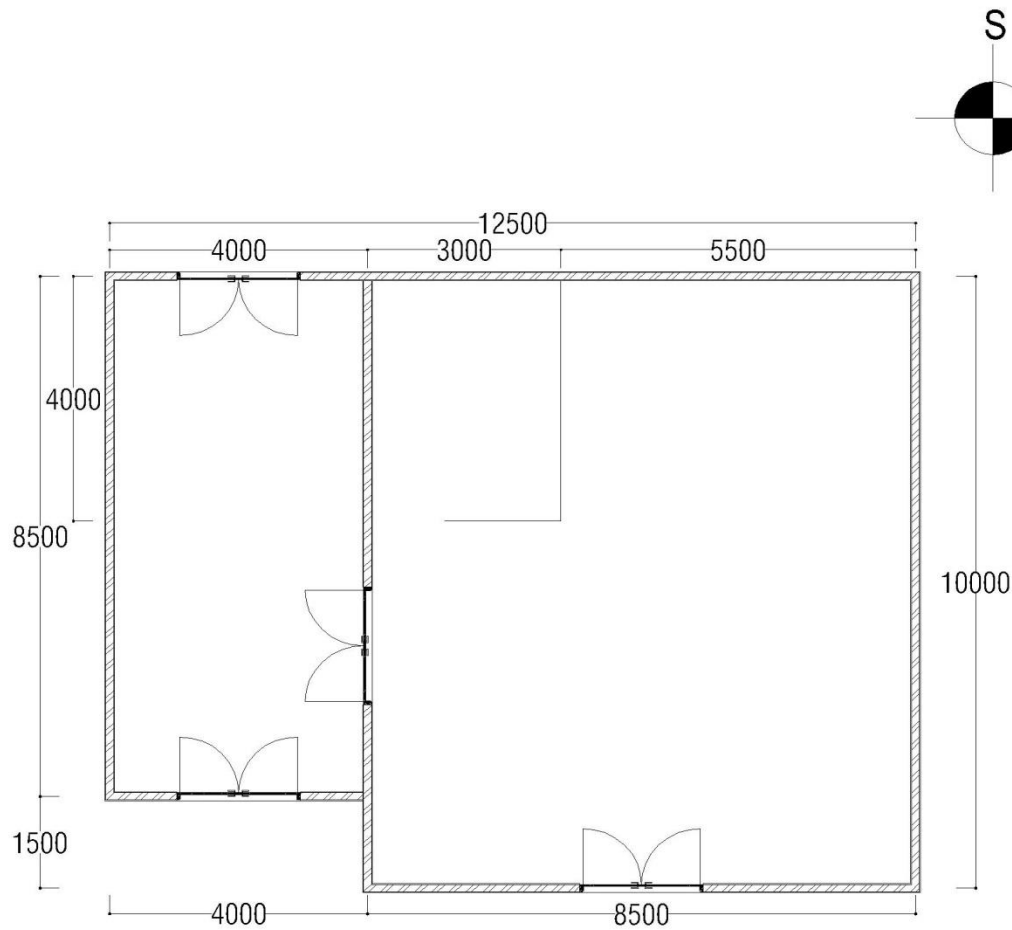
1:100

### Judul Gambar

Denah Rumah  
Bapak Tukijo

### Keterangan





08 DENAH RUMAH BAPAK KOMAR  
SKALA 1 : 100



### Tugas Akhir

Studi Kerentanan Bangunan  
Permukiman Terhadap Gempa  
Berdasarkan FEMA P-154 2015

### Nama Mahasiswa

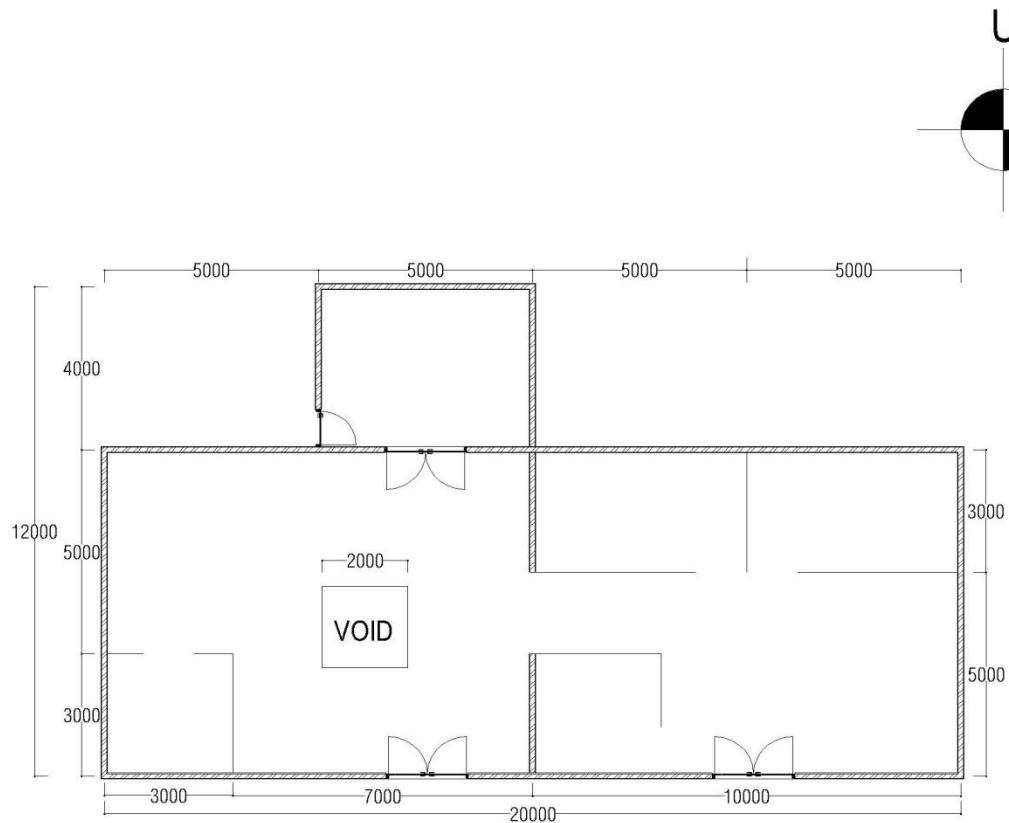
Rivan Faisal Nugroho  
20140110129

### Dosen Pembimbing

1. Dr. M. Heri Zulfiar, S.T., M.T.
2. Fanny Monika, S.T., M.Eng

Skala	Judul Gambar
1:100	Denah Rumah Bapak Komar

### Keterangan



09 DENAH RUMAH BAPAK ALI  
SKALA 1 : 150



### Tugas Akhir

Studi Kerentanan Bangunan  
Permukiman Terhadap Gempa  
Berdasarkan FEMA P-154 2015

### Nama Mahasiswa

Rivan Faisal Nugroho  
20140110129

### Dosen Pembimbing

1. Dr. M. Heri Zulfiar, S.T., M.T.

2. Fanny Monika, S.T., M.Eng

### Skala

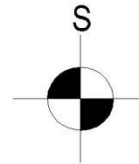
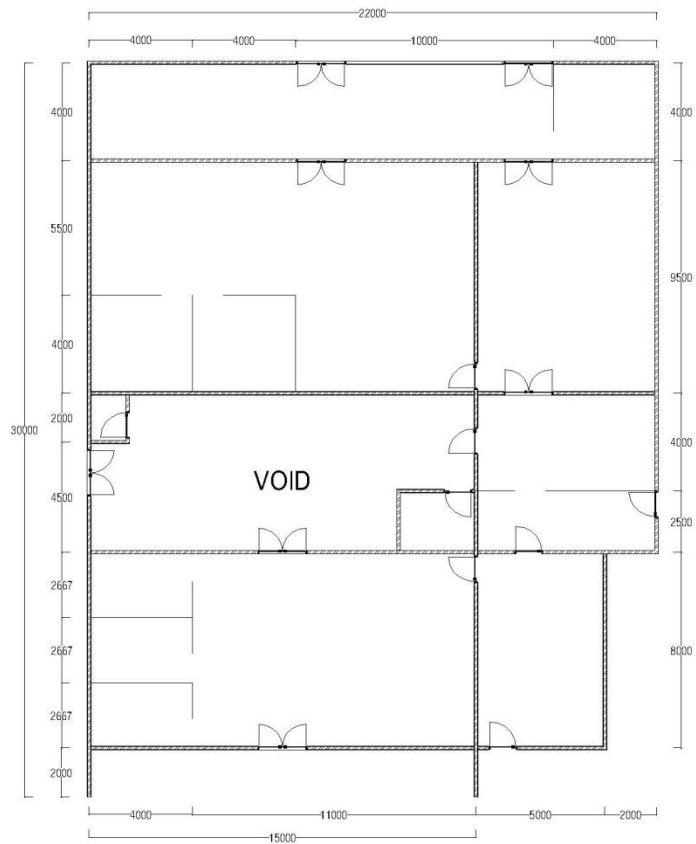
1:150

### Judul Gambar

Denah Rumah  
Bapak Ali

### Keterangan





10 DENAH RUMAH IBU ABAS  
SKALA 1 : 250



### Tugas Akhir

Studi Kerentanan Bangunan  
Permukiman Terhadap Gempa  
Berdasarkan FEMA P-154 2015

### Nama Mahasiswa

Rivan Faisal Nugroho  
20140110129

### Dosen Pembimbing

1. Dr. M. Heri Zulfiar, S.T., M.T.

2. Fanny Monika, S.T., M.Eng

### Skala

1:250

### Judul Gambar

Denah Rumah  
Ibu Abas

### Keterangan