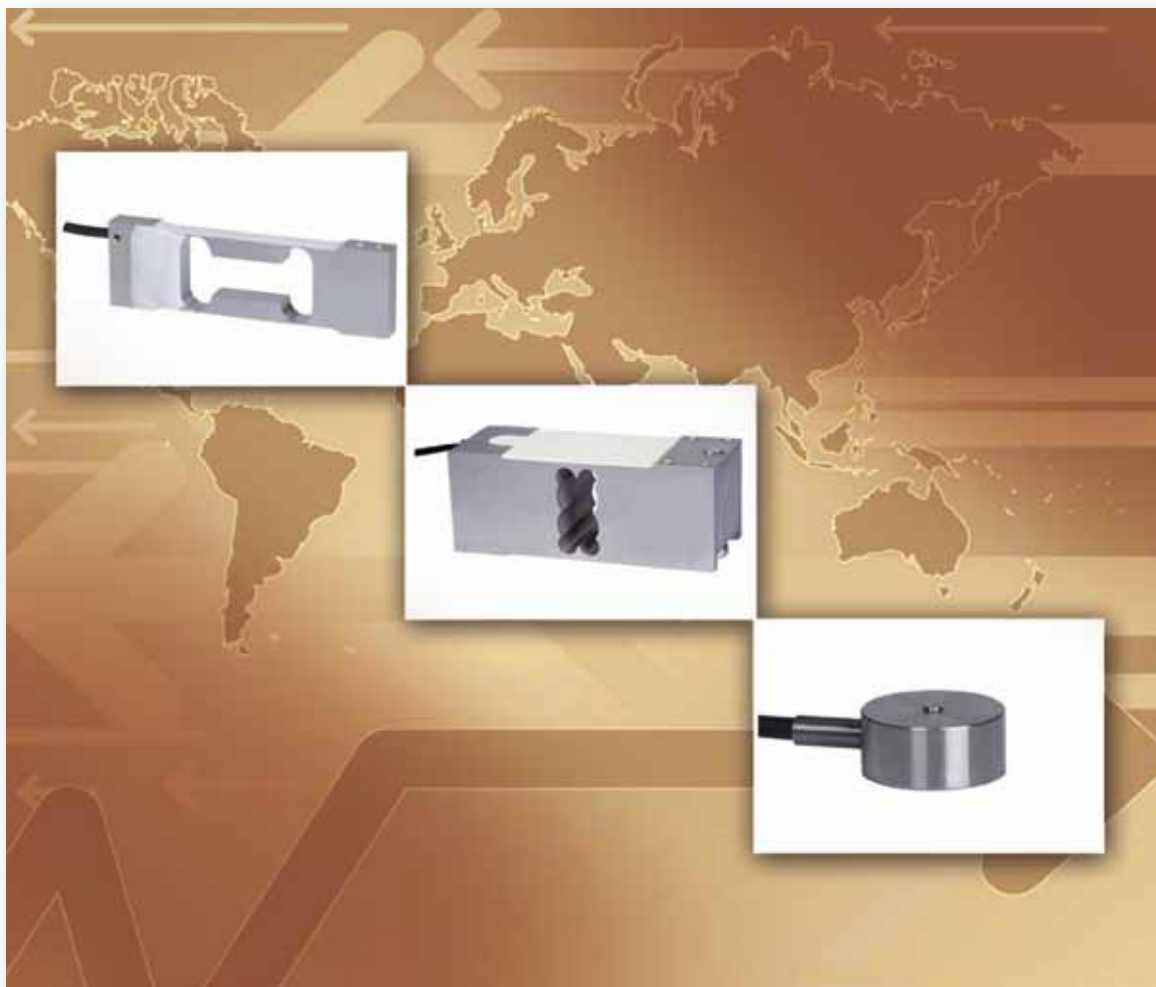











































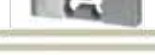





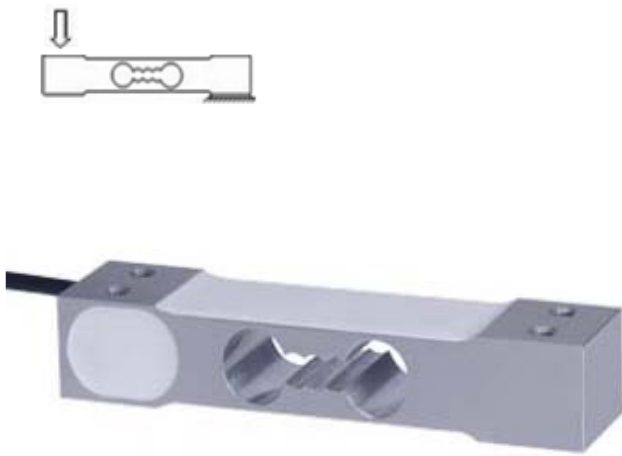
Load Cell Catalogue



NR *new resistance*

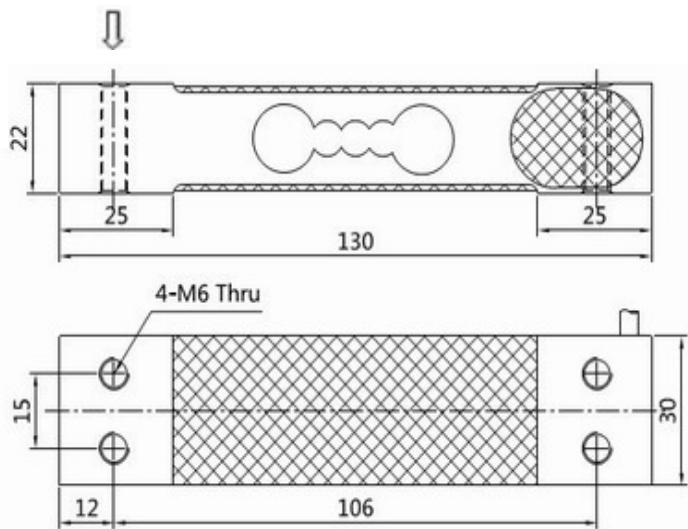
Single Point Load Cells			Shear Beam Load Cells			Force Load Cells		
	TB201 3-50Kg	02		TG201 500-3000Kg	22		TC301 5-20Kg	39
	TB202 3-50Kg	03		TG202 5000-8000Kg	23		TC302 5-50Kg	40
	TB203 3-60Kg	04	S-Type Load Cells				TC303 5-50Kg	41
	TB206 20-100Kg	05		TS501 2-100Kg	24		TC304 20-500Kg	42
	TB207 20-200Kg	06		TS502 2-100Kg	25		TC305 50-500Kg	43
	TD301 25-350Kg	07		TS505 1-50Kg	26		TC306S 10-2000Kg	44
	TD302 60-500Kg	08		TS506 100-1500Kg	27		TC320 100-1000Kg	45
	TD303 15-200Kg	09		TS507 1000-2000Kg	28		TC321 100-1000Kg	46
	TD304 25-200Kg	10	Planar Beam Load Cells				TC341 1-20Nm	47
	TD321 60-1000Kg	11		TF351 30-300Kg	29		TC361 10-50N	48
	TD322 100-800Kg	12		TF353 50-150Kg	30			
	TD326 100-1500Kg	13		TF356 75-300Kg	31			
	TD326A 100-1500Kg	14		TF357 75-300Kg	32			
	TK401 0.3-3Kg	15		TF358 75-125Kg	33			
	TK402 0.3-3Kg	16		TF360 50-75Kg	34			
	TK403 0.3-3Kg	17	Miniature Load Cells					
	TK406 0.3-6Kg	18		TA601(B) 1-20Kg	35			
	TK407 1.5-6Kg	19		TA603(B) 0.15-0.7Kg	36			
	TP350 10-50Kg	20		TA605(B) 0.15-1Kg	37			
	TP351 25-250Kg	21		TA610 3-60Kg	38			

NRB201 (Single Point Load Cell)



Features:

- * Comply with OIML Standard
- * Aluminum Alloy Construction
- * High Accuracy
- * Used in Price Computing Scales, Counting Scale and Weighing Scales, etc.
- * Max. Platform Size: 250×350mm



RoHS

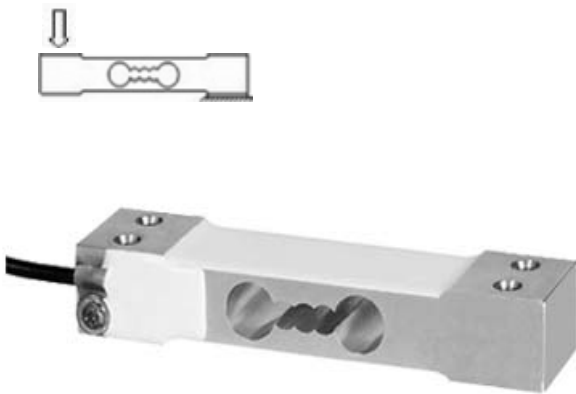
NRB201 Specification:

Capacity	3, 6, 10, 15, 20, 30, 40, 50 (Kg)		
Accuracy	C4-C5	Operating Temp. Range	-20 - + 60°C
Output Sensitivity	2.0±10%mv/v	Recommended Excitation	5 - 12VDC
Zero Balance	±5%F.S.	Max. Excitation Voltage	18VDC
Combined Error	±0.02%F.S.	Safe Overload	150%F.S.
Creep in 30 Minutes	±0.02%F.S.	Ultimate Overload	200%F.S.
Linearity Error	±0.015%F.S.	Insulation Resistance	≥5000MΩ(50VDC)
Repeatability Error	±0.01%F.S.	Cable Length	φ4mm*400mm
Hysteresis Error	±0.01%F.S.	Protection Class	IP66
Input Resistance	405±10Ω	Wiring Code:	
Output Resistance	350±3Ω		
Temp. Effect on Sensitivity	±0.02%F.S./10°C		
Temp. Effect on Zero	±0.02%F.S./10°C		
Compensated Temp. Range	-10 - + 40°C		

Note:

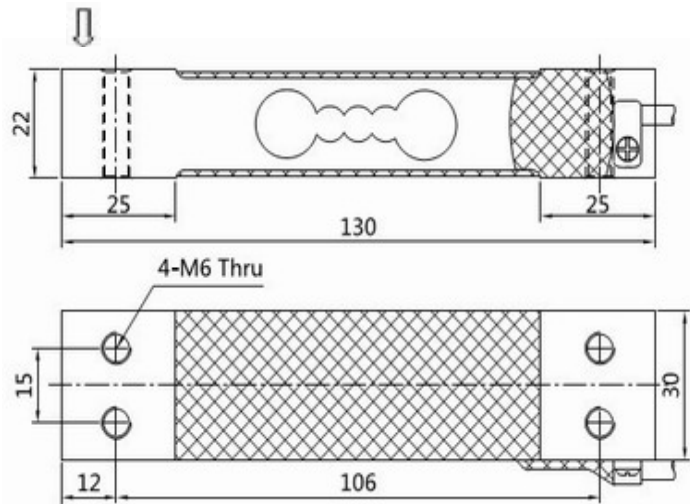
- * Cable Length, Capacity and Thread Type Could be Customized according to your requirement.
- * All specifications subject to change without notice, please confirm before order.

NRB202 (Single Point Load Cell)



Features:

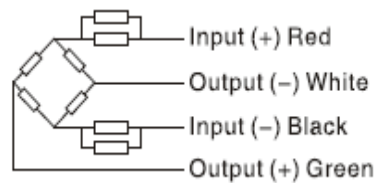
- * Comply with OIML Standard
- * Aluminum Alloy Construction
- * High Accuracy
- * Used in Price Computing Scales, Counting Scale and Weighing Scales, etc.
- * Max. Platform Size: 250×350mm



RoHS

NRB202 Specification:

Capacity	3, 6, 10, 15, 20, 30, 40, 50 (Kg)	Operating Temp. Range	-20 - + 60°C
Accuracy	C3	Recommended Excitation	5 - 12VDC
Output Sensitivity	2.0±10%mv/v	Max. Excitation Voltage	18VDC
Zero Balance	±5%F.S.	Safe Overload	150%F.S.
Combined Error	±0.02%F.S.	Ultimate Overload	200%F.S.
Creep in 30 Minutes	±0.03%F.S.	Insulation Resistance	≥5000MΩ(50VDC)
Linearity Error	±0.02%F.S.	Cable Length	∅4mm*400mm
Repeatability Error	±0.015%F.S.	Protection Class	IP65
Hysteresis Error	±0.015%F.S.	Wiring Code:	
Input Resistance	405±10Ω		
Output Resistance	350±3Ω		
Temp. Effect on Sensitivity	±0.03%F.S./10°C		
Temp. Effect on Zero	±0.05%F.S./10°C		
Compensated Temp. Range	-10 - + 40°C		



Note:

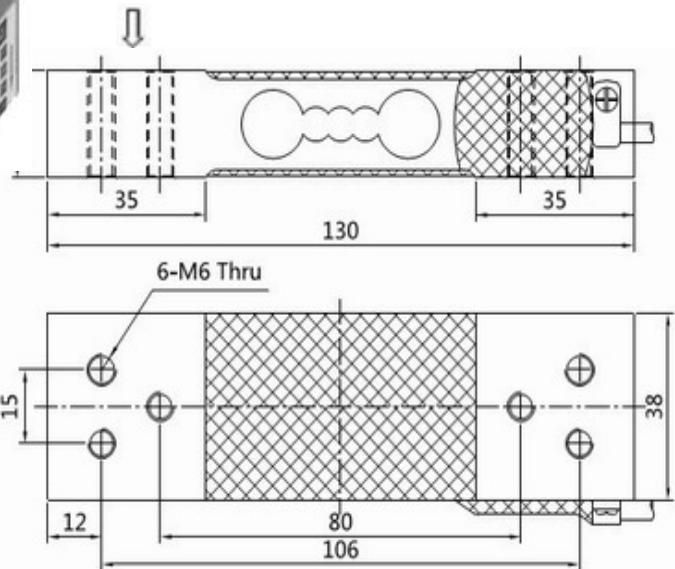
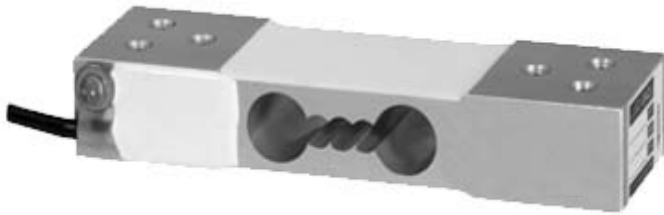
- * Cable Length, Capacity and Thread Type Could be Customized according to your requirement.
- * All specifications subject to change without notice, please confirm before order.

NRB203 (Single Point Load Cell)



Features:

- * Comply with OIML Standard
- * Aluminum Alloy Construction
- * High Accuracy
- * Used in Price Computing Scales, Counting Scale and Weighing Scales, etc.
- * Max. Platform Size: 250×350mm



RoHS

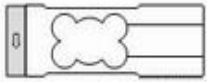
NRB203 Specification:

Capacity	20, 30, 40, 50, 60, 100(Kg)		
Accuracy	C4	Operating Temp. Range	-20 - + 60°C
Output Sensitivity	2.0±10%mv/v	Recommended Excitation	5 - 12VDC
Zero Balance	±5%F.S.	Max. Excitation Voltage	18VDC
Combined Error	±0.02%F.S.	Safe Overload	150%F.S.
Creep in 30 Minutes	±0.03%F.S.	Ultimate Overload	200%F.S.
Linearity Error	±0.015%F.S.	Insulation Resistance	≥ 5000MΩ(50VDC)
Repeatability Error	±0.01%F.S.	Cable Length	φ4mm*400mm
Hysteresis Error	±0.01%F.S.	Protection Class	IP65
Input Resistance	405±10Ω	Wiring Code (4-wire, Braid shielded, PVC Cable):	
Output Resistance	350±3Ω		
Temp. Effect on Sensitivity	±0.02%F.S./10°C		
Temp. Effect on Zero	±0.02%F.S./10°C		
Compensated Temp. Range	-10 - + 40°C		

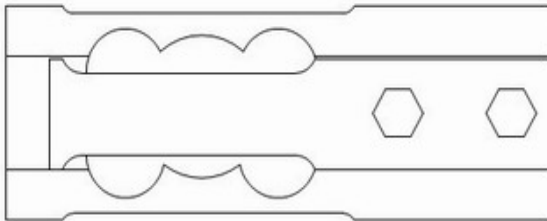
Note:

- * Size, Cable Length, Capacity and Thread Type Could be Customized according to your requirement.
- * All specifications subject to change without notice, please confirm before order.

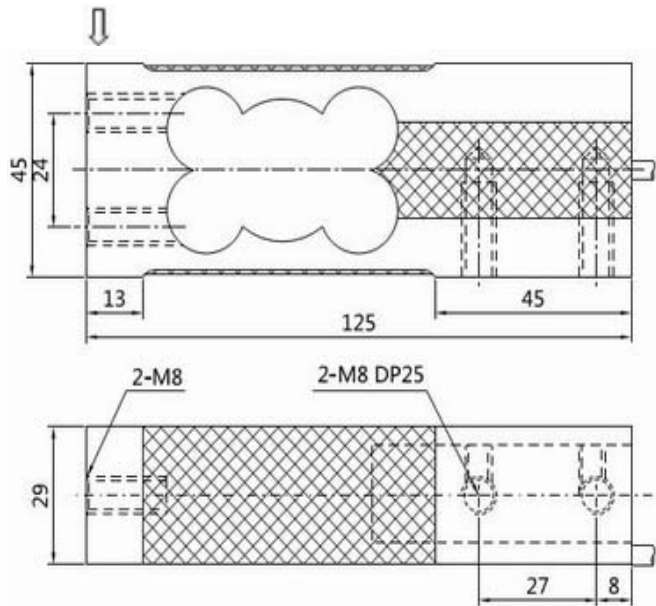
NRB206 (Single Point Load Cell)



RoHS

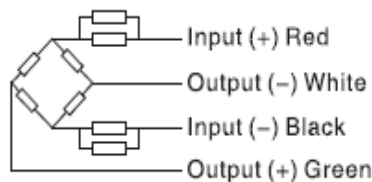


- Features:**
- * Comply with OIML Standard
 - * Aluminum Alloy Construction
 - * High Accuracy
 - * Used in Price Computing Scales, Counting Scale and Weighing Scales, etc.
 - * Max. Platform Size: 250×350mm
 - * With Overload Protection



NRB206 Specification:

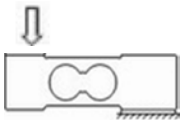
Capacity	20, 30, 40, 50, 60, 100(Kg)	Operating Temp. Range	-20 - + 60°C
Accuracy	C4	Recommended Excitation	5 - 12VDC
Output Sensitivity	2.0±10%mv/v	Max. Excitation Voltage	18VDC
Zero Balance	±5%F.S.	Safe Overload	150%F.S.
Combined Error	±0.02%F.S.	Ultimate Overload	200%F.S.
Creep in 30 Minutes	±0.02%F.S.	Insulation Resistance	≥5000MΩ(50VDC)
Linearity Error	±0.015%F.S.	Cable Length	φ4mm*400mm
Repeatability Error	±0.01%F.S.	Protection Class	IP65
Hysteresis Error	±0.01%F.S.	Wiring Code (4-wire, Braid shielded, PVC Cable):	
Input Resistance	405±10Ω		
Output Resistance	350±3Ω		
Temp. Effect on Sensitivity	±0.02%F.S./10°C		
Temp. Effect on Zero	±0.02%F.S./10°C		
Compensated Temp. Range	-10 - + 40°C		



Note:

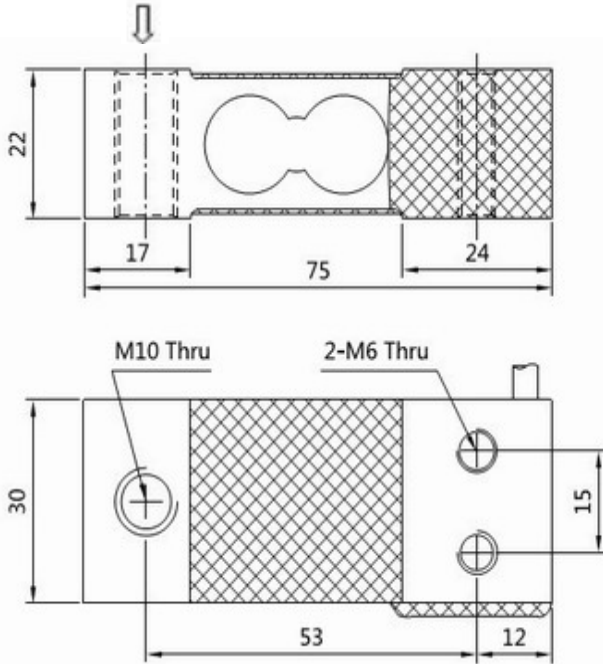
- * Size, Cable Length, Capacity and Thread Type Could be Customized according to your requirement.
- * All specifications subject to change without notice, please confirm before order.

NRB207 (Single Point Load Cell)



Features:

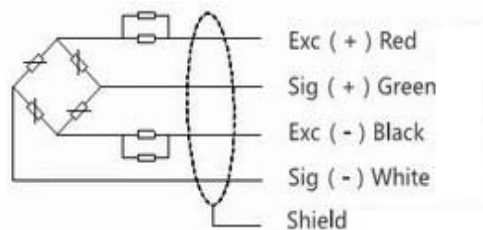
- * Comply with OIML Standard
- * Aluminum Alloy Construction
- * High Accuracy
- * Used in Price Computing Scales, Counting Scale and Weighing Scales, etc.
- * Max. Platform Size: 250×350mm



RoHS

NRB207 Specification:

Capacity	20, 40, 60, 100, 200 (Kg)	Operating Temp. Range	-20 - + 60°C
Accuracy	C3	Recommended Excitation	5 - 12VDC
Output Sensitivity	2.0±10%mv/v	Max. Excitation Voltage	18VDC
Zero Balance	±5%F.S.	Safe Overload	150%F.S.
Combined Error	±0.028%F.S.	Ultimate Overload	200%F.S.
Creep in 30 Minutes	±0.03%F.S.	Insulation Resistance	≥5000MΩ(50VDC)
Linearity Error	±0.02%F.S.	Cable Length	φ4mm*400mm
Repeatability Error	±0.015%F.S.	Protection Class	IP65
Hysteresis Error	±0.015%F.S.	Wiring Code (4-wire, Braid shielded, PVC Cable):	
Input Resistance	405±10Ω		
Output Resistance	350±3Ω		
Temp. Effect on Sensitivity	±0.03%F.S./10°C		
Temp. Effect on Zero	±0.03%F.S./10°C		
Compensated Temp. Range	-10 - + 40°C		



Note:

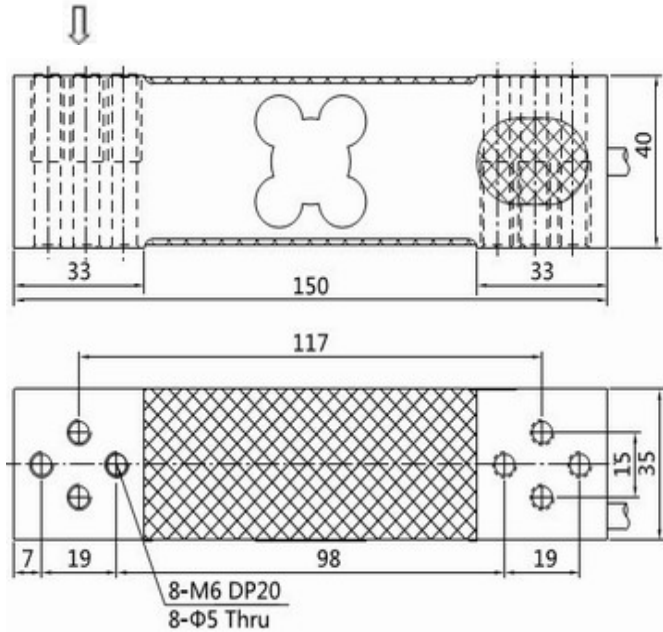
- * Cable Length, Capacity and Thread Type Could be Customized according to your requirement.
- * All specifications subject to change without notice, please confirm before order.

NRD301 (Single Point Load Cell)



Features:

- * Comply with OIML Standard
- * Aluminum Alloy Construction
- * High Accuracy
- * Used in Price Computing Scales, Counting Scale and Weighing Scales, etc.
- * Max. Platform Size: 400×400mm



RoHS

NRD301 Specification:

Capacity	25, 40, 60, 100, 200, 350(Kg)	
Accuracy	C3-C5	Operating Temp. Range -20 - + 60°C
Output Sensitivity	2.0±5%mv/v	Recommended Excitation 5 - 12VDC
Zero Balance	±5%F.S.	Max. Excitation Voltage 18VDC
Combined Error	±0.02%F.S.	Safe Overload 150%F.S.
Creep in 30 Minutes	±0.02%F.S.	Ultimate Overload 200%F.S.
Linearity Error	±0.015%F.S.	Insulation Resistance ≥5000MΩ(50VDC)
Repeatability Error	±0.01%F.S.	Cable Length ϕ5mm*1500mm
Hysteresis Error	±0.01%F.S.	Protection Class IP65
Input Resistance	405±10Ω	Wiring Code (4-wire, Braid shielded, PVC Cable):
Output Resistance	350±3Ω	
Temp. Effect on Sensitivity	±0.02%F.S./10°C	
Temp. Effect on Zero	±0.02%F.S./10°C	
Compensated Temp. Range	-10 - + 40°C	

Note:

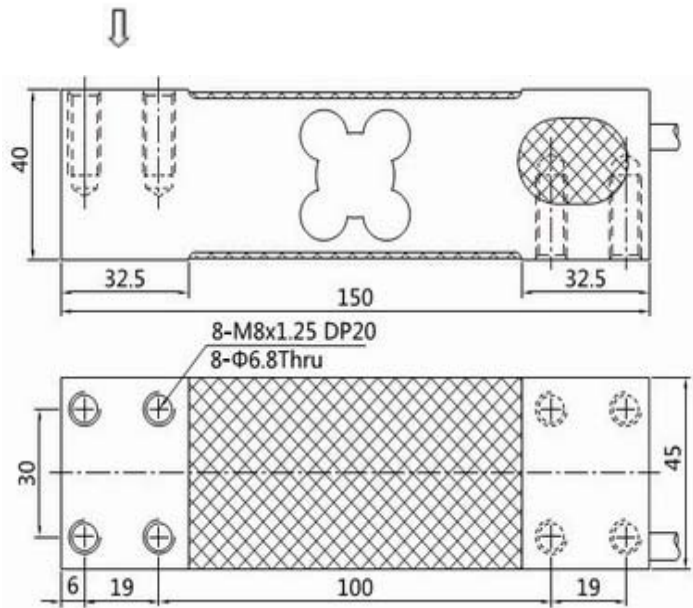
- * Size, Capacity and Thread Type Could be Customized according to your requirement.
- * All specifications subject to change without notice, please confirm before order.

NRD302 (Single Point Load Cell)



Features:

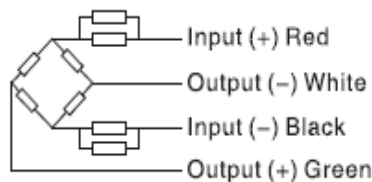
- * Comply with OIML Standard
- * Aluminum Alloy Construction
- * High Accuracy
- * Used in Price Computing Scales, Counting Scale and Weighing Scales, etc.
- * Max. Platform Size: 400×400mm



RoHS

NRD302 Specification:

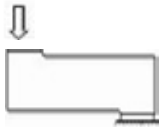
Capacity	60, 100, 200, 350, 500(Kg)
Accuracy	C3-C5
Output Sensitivity	2.0±5%mv/v
Zero Balance	±5%F.S.
Combined Error	±0.02%F.S.
Creep in 30 Minutes	±0.02%F.S.
Linearity Error	±0.015%F.S.
Repeatability Error	±0.01%F.S.
Hysteresis Error	±0.01%F.S.
Input Resistance	405±10Ω
Output Resistance	350±3Ω
Temp. Effect on Sensitivity	±0.02%F.S./10°C
Temp. Effect on Zero	±0.02%F.S./10°C
Compensated Temp. Range	-10 - + 40°C
Operating Temp. Range	-20 - + 60°C
Recommended Excitation	5 - 12VDC
Max. Excitation Voltage	18VDC
Safe Overload	150%F.S.
Ultimate Overload	200%F.S.
Insulation Resistance	≥5000MΩ(50VDC)
Cable Length	φ5mm*1500mm
Protection Class	IP65
Wiring Code (4-wire, Braid shielded, PVC Cable):	



Note:

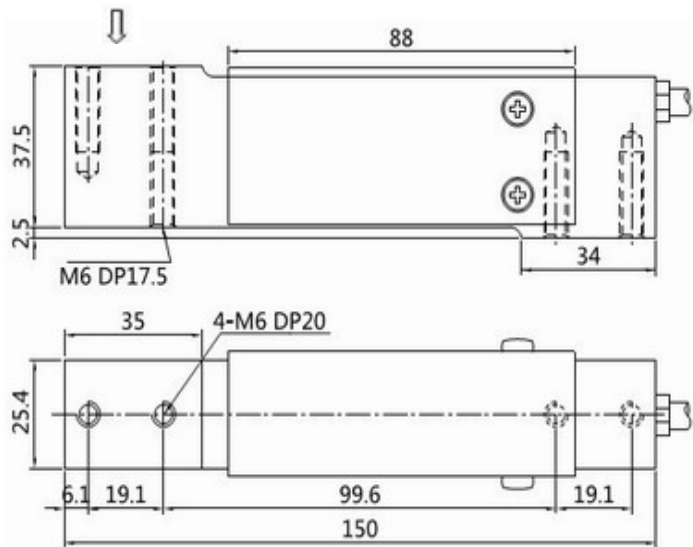
- * Size, Capacity and Thread Type Could be Customized according to your requirement.
- * All specifications subject to change without notice, please confirm before order.

NRD303 (Single Point Load Cell)



Features:

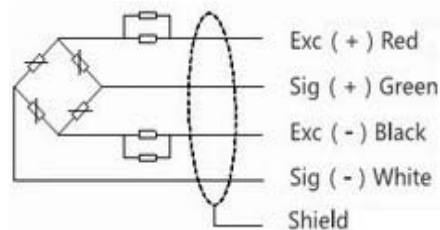
- * Comply with OIML Standard
- * Aluminum Alloy Construction
- * High Accuracy
- * Used in Price Computing Scales, Counting Scale and Platform Scales, etc.
- * Max. Platform Size: 400×400mm



RoHS

NRD303 Specification:

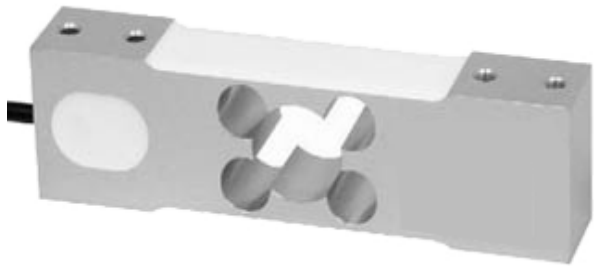
Capacity	15, 20, 30, 50, ,100, 200(Kg)	Operating Temp. Range	-20 - + 60°C
Accuracy	C3-C5	Recommended Excitation	5 - 12VDC
Output Sensitivity	2.0±5%mv/v	Max. Excitation Voltage	18VDC
Zero Balance	±5%F.S.	Safe Overload	150%F.S.
Combined Error	±0.02%F.S.	Ultimate Overload	200%F.S.
Creep in 30 Minutes	±0.02%F.S.	Insulation Resistance	≥5000MΩ(50VDC)
Linearity Error	±0.015%F.S.	Cable Length	φ5mm*1500mm
Repeatability Error	±0.01%F.S.	Protection Class	IP65
Hysteresis Error	±0.01%F.S.	Wiring Code (4-wire, Braid shielded, PVC Cable):	
Input Resistance	405±10Ω		
Output Resistance	350±3Ω		
Temp. Effect on Sensitivity	±0.02%F.S./10°C		
Temp. Effect on Zero	±0.02%F.S./10°C		
Compensated Temp. Range	-10 - + 40°C		



Note:

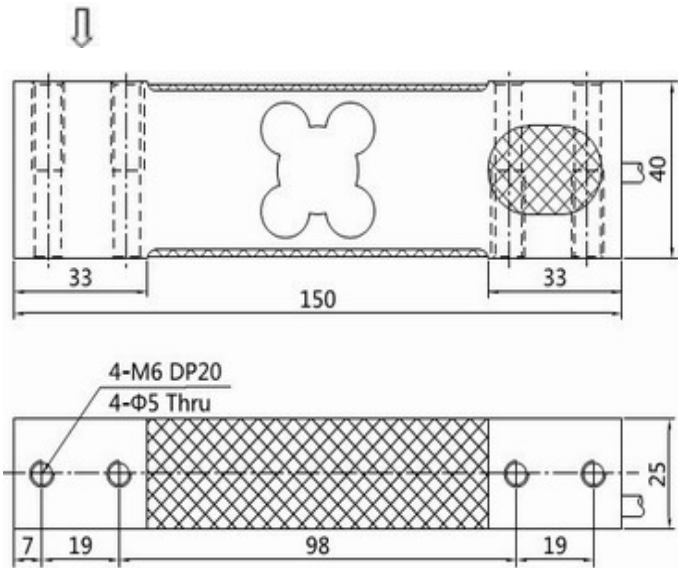
- * Size, Capacity and Thread Type Could be Customized according to your requirement.
- * All specifications subject to change without notice, please confirm before order.

NRD304 (Single Point Load Cell)



Features:

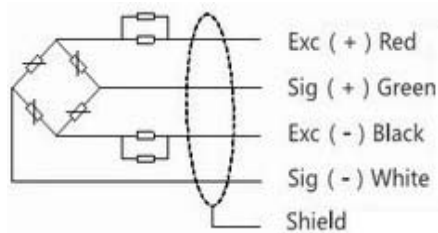
- * Comply with OIML Standard
- * Aluminum Alloy Construction
- * High Accuracy
- * Used in Price Computing Scales, Counting Scale and Platform Scales, etc.
- * Max. Platform Size: 400×400mm



RoHS

NRD304 Specification:

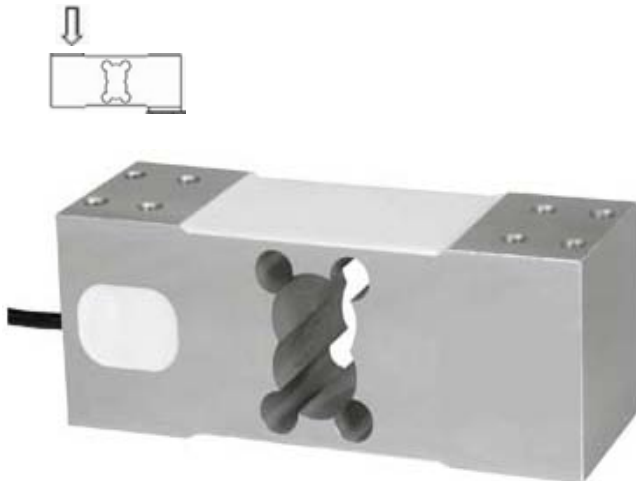
Capacity	25, 40, 60 100, 200(Kg)	Operating Temp. Range	-20 - + 60°C
Accuracy	C3-C5	Recommended Excitation	5 - 12VDC
Output Sensitivity	2.0±5%mv/v	Max. Excitation Voltage	18VDC
Zero Balance	±5%F.S.	Safe Overload	150%F.S.
Combined Error	±0.02%F.S.	Ultimate Overload	200%F.S.
Creep in 30 Minutes	±0.02%F.S.	Insulation Resistance	≥5000MΩ(50VDC)
Linearity Error	±0.015%F.S.	Cable Length	φ5mm*1500mm
Repeatability Error	±0.01%F.S.	Protection Class	IP65
Hysteresis Error	±0.01%F.S.	Wiring Code (4-wire, Braid shielded, PVC Cable):	
Input Resistance	405±10Ω		
Output Resistance	350±3Ω		
Temp. Effect on Sensitivity	±0.02%F.S./10°C		
Temp. Effect on Zero	±0.02%F.S./10°C		
Compensated Temp. Range	-10 - + 40°C		



Note:

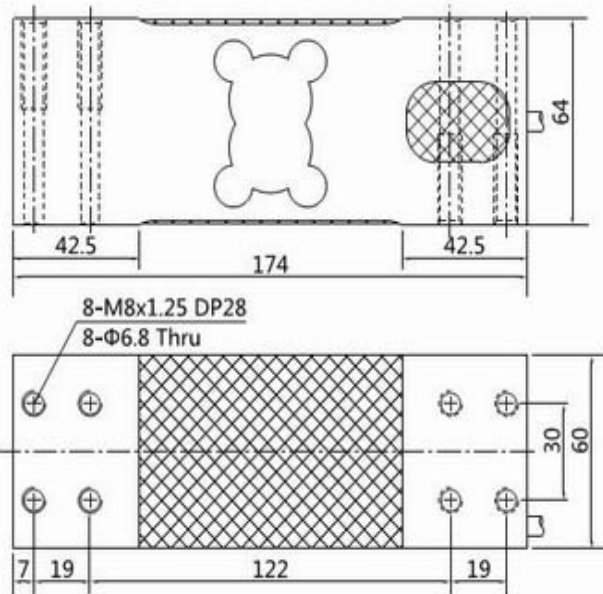
- * Size, Capacity and Thread Type Could be Customized according to your requirement.
- * All specifications subject to change without notice, please confirm before order.

NRD321 (Single Point Load Cell)



Features:

- * Comply with OIML Standard
- * Aluminum Alloy Construction
- * High Accuracy
- * Used in Platform Scale, Counting Scale, etc.
- * Max. Platform Size: 800×800mm



RoHS

NRD321 Specification:

Capacity	60, 100, 200, 300, 500, 600, 800, 1000(Kg)		
Accuracy	C3	Operating Temp. Range	-20 - + 60°C
Output Sensitivity	2.0±5%mv/v	Recommended Excitation	5 - 12VDC
Zero Balance	±5%F.S.	Max. Excitation Voltage	18VDC
Combined Error	±0.02%F.S.	Safe Overload	150%F.S.
Creep in 30 Minutes	±0.02%F.S.	Ultimate Overload	200%F.S.
Linearity Error	±0.015%F.S.	Insulation Resistance	≥5000MΩ(50VDC)
Repeatability Error	±0.01%F.S.	Cable Length	φ5mm*2000mm
Hysteresis Error	±0.01%F.S.	Protection Class	IP65
Input Resistance	405±10Ω	Wiring Code (4-wire, Braid shielded, PVC Cable):	
Output Resistance	350±3Ω		
Temp. Effect on Sensitivity	±0.02%F.S./10°C		
Temp. Effect on Zero	±0.02%F.S./10°C		
Compensated Temp. Range	-10 - + 40°C		

Note:

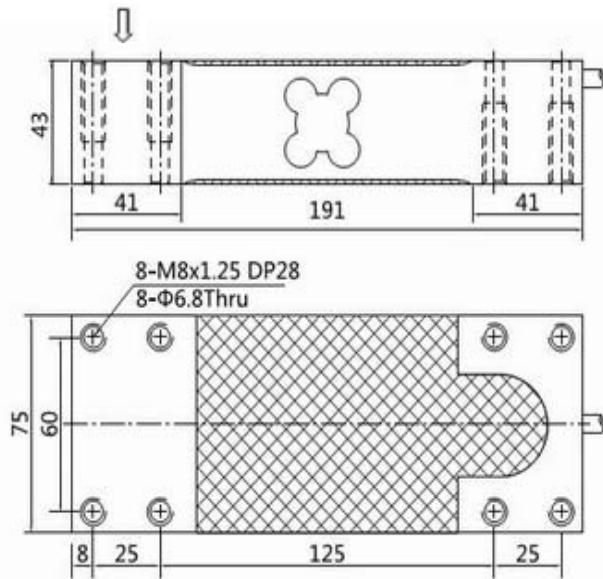
- * Size, Capacity and Thread Type Could be Customized according to your requirement.
- * All specifications subject to change without notice, please confirm before order.

NRD322 (Single Point Load Cell)



Features:

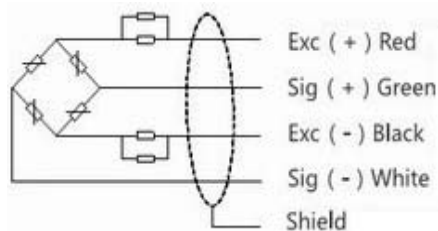
- * Comply with OIML Standard
- * Aluminum Alloy Construction
- * High Accuracy
- * Used in Platform Scale, Counting Scale, etc.
- * Max. Platform Size: 800×800mm



RoHS

NRD322 Specification:

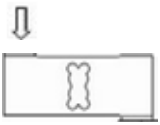
Capacity	100, 200, 300, 500, 800(Kg)	Operating Temp. Range	-20 - + 60°C
Accuracy	C3	Recommended Excitation	5 - 12VDC
Output Sensitivity	2.0±5%mv/v	Max. Excitation Voltage	18VDC
Zero Balance	±5%F.S.	Safe Overload	150%F.S.
Combined Error	±0.02%F.S.	Ultimate Overload	200%F.S.
Creep in 30 Minutes	±0.02%F.S.	Insulation Resistance	≥5000MΩ(50VDC)
Linearity Error	±0.015%F.S.	Cable Length	φ5mm*2000mm
Repeatability Error	±0.01%F.S.	Protection Class	IP65
Hysteresis Error	±0.01%F.S.	Wiring Code (4-wire, Braid shielded, PVC Cable):	
Input Resistance	405±10Ω		
Output Resistance	350±3Ω		
Temp. Effect on Sensitivity	±0.02%F.S./10°C		
Temp. Effect on Zero	±0.02%F.S./10°C		
Compensated Temp. Range	-10 - + 40°C		



Note:

- * Size, Capacity and Thread Type Could be Customized according to your requirement.
- * All specifications subject to change without notice, please confirm before order.

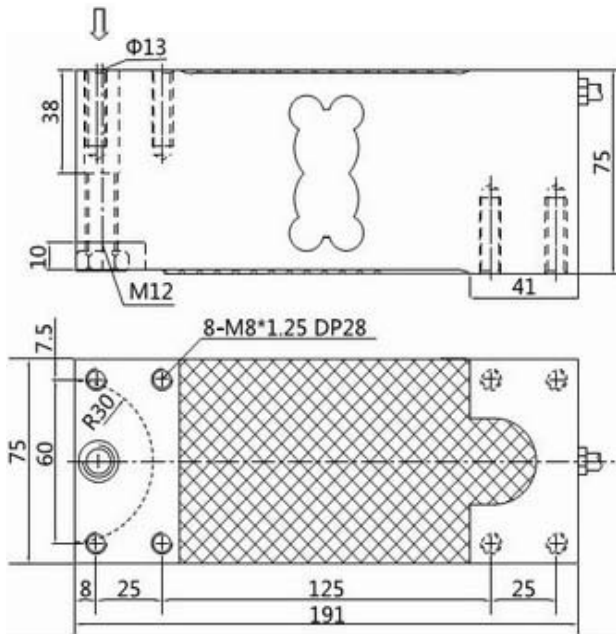
NRD326 (Single Point Load Cell)



RoHS

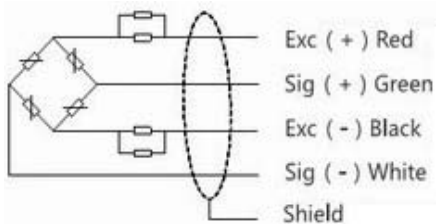
Features:

- * Comply with OIML Standard
- * Aluminum Alloy Construction
- * High Accuracy
- * Used in Platform Scale, and other weighing applications, etc.
- * With overload protection screw.
- * Max. Platform Size: 1000×1000mm



NRD326 Specification:

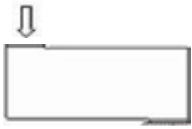
Capacity	100, 200, 300, 500, 635, 800, 1000, 1500(Kg)	Operating Temp. Range	-20 - + 60°C
Accuracy	C3	Recommended Excitation	5 - 12VDC
Output Sensitivity	2.0±5%mv/v	Max. Excitation Voltage	18VDC
Zero Balance	±5%F.S.	Safe Overload	150%F.S.
Combined Error	±0.02%F.S.	Ultimate Overload	200%F.S.
Creep in 30 Minutes	±0.02%F.S.	Insulation Resistance	≥5000MΩ(50VDC)
Linearity Error	±0.015%F.S.	Cable Length	φ5mm*2000mm
Repeatability Error	±0.01%F.S.	Protection Class	IP65
Hysteresis Error	±0.01%F.S.	Wiring Code (4-wire, Braid shielded, PVC Cable):	
Input Resistance	405±10Ω		
Output Resistance	350±3Ω		
Temp. Effect on Sensitivity	±0.02%F.S./10°C		
Temp. Effect on Zero	±0.02%F.S./10°C		
Compensated Temp. Range	-10 - + 40°C		



Note:

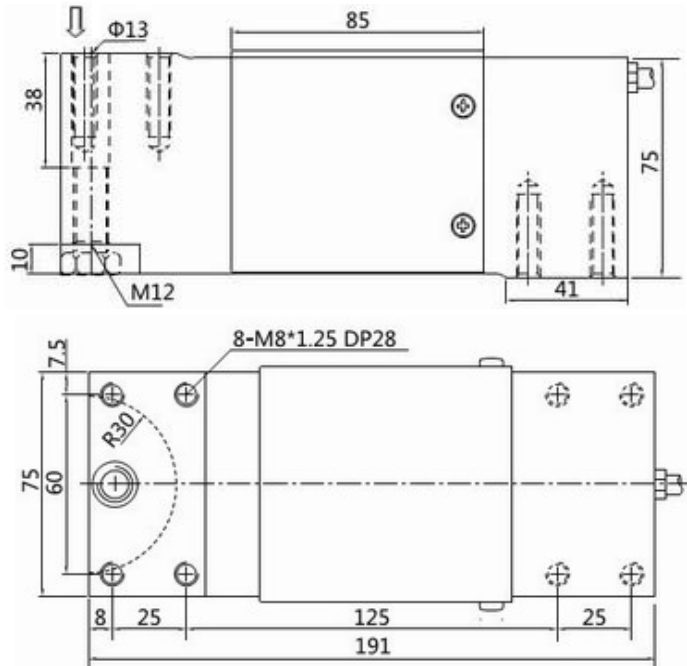
- * Size, Capacity and Thread Type Could be Customized according to your requirement.
- * All specifications subject to change without notice, please confirm before order.

NRD326A (Single Point Load Cell)



Features:

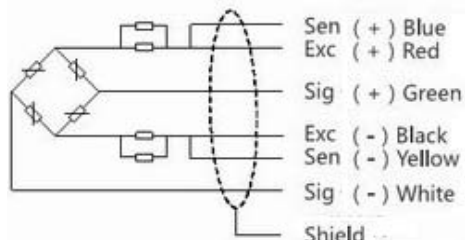
- * Comply with OIML Standard
- * Aluminum Alloy Construction
- * 6-wire Cable
- * Used in Platform Scale, and other weighing applications, etc.
- * With overload protection screw.
- * Max. Platform Size: 1000×1000mm



RoHS

NRD326A Specification:

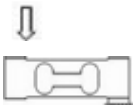
Capacity	100, 200, 300, 500, 635, 800, 1000, 1500(Kg)	Operating Temp. Range	-20 - + 60°C
Accuracy	C3	Recommended Excitation	5 - 12VDC
Output Sensitivity	2.0±5%mv/v	Max. Excitation Voltage	18VDC
Zero Balance	±5%F.S.	Safe Overload	150%F.S.
Combined Error	±0.02%F.S.	Ultimate Overload	200%F.S.
Creep in 30 Minutes	±0.02%F.S.	Insulation Resistance	≥5000MΩ(50VDC)
Linearity Error	±0.015%F.S.	Cable Length	φ6mm*2000mm
Repeatability Error	±0.01%F.S.	Protection Class	IP65
Hysteresis Error	±0.01%F.S.	Wiring Code (4-wire, Braid shielded, PVC Cable):	
Input Resistance	405±10Ω		
Output Resistance	350±3Ω		
Temp. Effect on Sensitivity	±0.02%F.S./10°C		
Temp. Effect on Zero	±0.02%F.S./10°C		
Compensated Temp. Range	-10 - + 40°C		



Note:

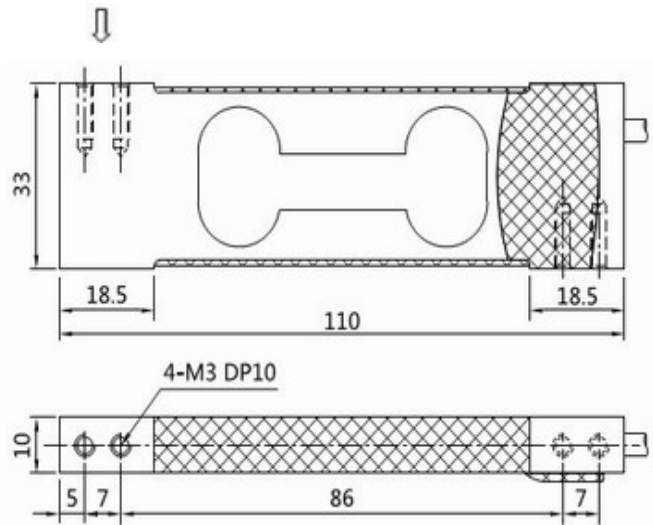
- * Size, Capacity and Thread Type Could be Customized according to your requirement.
- * All specifications subject to change without notice, please confirm before order.

NRK401 (Single Point Load Cell)



Features:

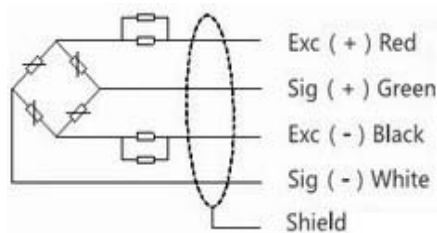
- * Comply with OIML R60 Standard
- * Aluminum Alloy Construction
- * High Accuracy
- * Used in Electronic Balance, Counting Scale, etc.
- * Max. Platform Size: 150×150mm



RoHS

NRK401 Specification:

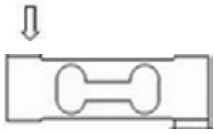
Capacity	0.3, 0.6, 1, 1.5, 3(Kg)	Operating Temp. Range	-20 - + 60°C
Accuracy	C3, C4, C5	Recommended Excitation	5 - 12VDC
Output Sensitivity	1.0±10%mv/v	Max. Excitation Voltage	18VDC
Zero Balance	±5%F.S.	Safe Overload	150%F.S.
Combined Error	±0.015%F.S.	Ultimate Overload	200%F.S.
Creep in 30 Minutes	±0.02%F.S.	Insulation Resistance	≥2000MΩ(50VDC)
Linearity Error	±0.015%F.S.	Cable Length	φ4mm*250mm
Repeatability Error	±0.01%F.S.	Protection Class	IP65
Hysteresis Error	±0.01%F.S.	Wiring Code (4-wire, Braid shielded, PVC Cable):	
Input Resistance	405±10Ω		
Output Resistance	350±3Ω		
Temp. Effect on Sensitivity	±0.02%F.S./10°C		
Temp. Effect on Zero	±0.03%F.S./10°C		
Compensated Temp. Range	-10 - + 40°C		



Note:

- * Size, Capacity and Thread Type Could be Customized according to your requirement.
- * All specifications subject to change without notice, please confirm before order.

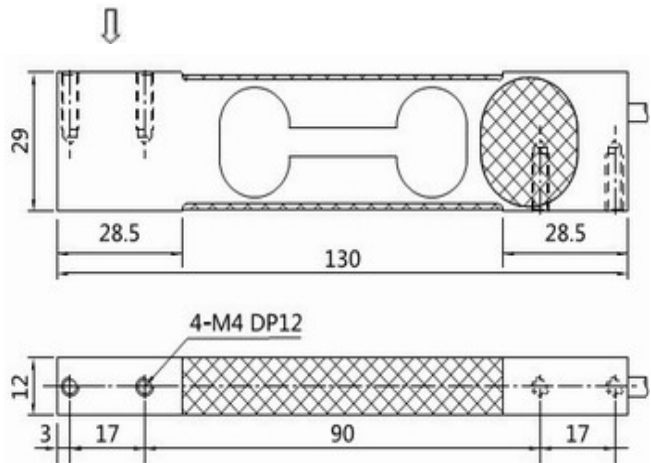
NRK402 (Single Point Load Cell)



RoHS

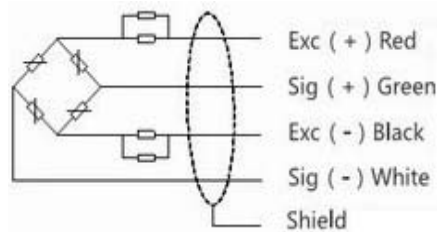
Features:

- * Comply with OIML R60 Standard
- * Aluminum Alloy Construction
- * High Accuracy
- * Used in Electronic Balance, Counting Scale, etc.
- * Max. Platform Size: 150×150mm



NRK402 Specification:

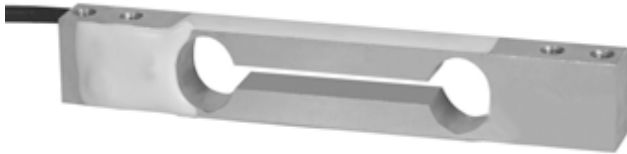
Capacity	0.3, 0.5, 1, 2, 3(Kg)	Operating Temp. Range	-20 - + 60°C
Accuracy	C3, C4, C5	Recommended Excitation	5 - 12VDC
Output Sensitivity	1.3±10%mv/v	Max. Excitation Voltage	18VDC
Zero Balance	±5%F.S.	Safe Overload	150%F.S.
Combined Error	±0.02%F.S.	Ultimate Overload	200%F.S.
Creep in 30 Minutes	±0.01%F.S.	Insulation Resistance	≥2000MΩ(50VDC)
Linearity Error	±0.015%F.S.	Cable Length	φ4mm*250mm
Repeatability Error	±0.015%F.S.	Protection Class	IP65
Hysteresis Error	±0.01%F.S.	Wiring Code (4-wire, Braid shielded, PVC Cable):	
Input Resistance	405±10Ω		
Output Resistance	350±3Ω		
Temp. Effect on Sensitivity	±0.02%F.S./10°C		
Temp. Effect on Zero	±0.03%F.S./10°C		
Compensated Temp. Range	-10 - + 40°C		



Note:

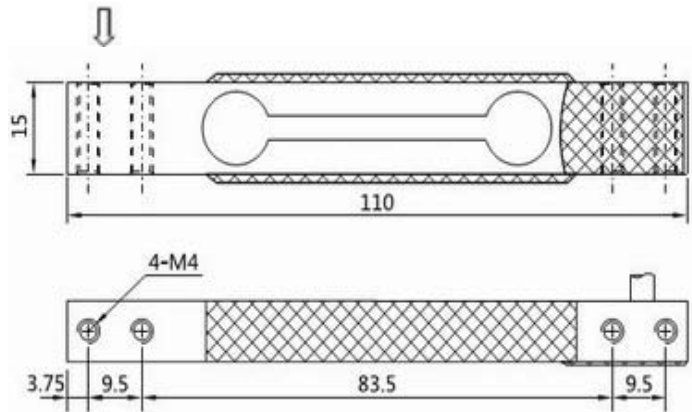
- * Size, Capacity and Thread Type Could be Customized according to your requirement.
- * All specifications subject to change without notice, please confirm before order.

NRK403 (Single Point Load Cell)



Features:

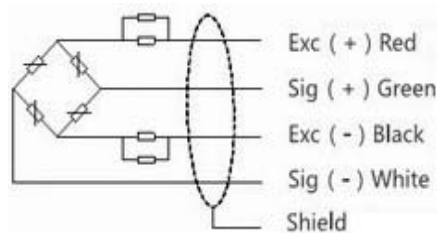
- * Comply with OIML R60 Standard
- * Aluminum Alloy Construction
- * High Accuracy
- * Used in Electronic Balance, Counting Scale, etc.
- * Max. Platform Size: 150×150mm



RoHS

NRK403 Specification:

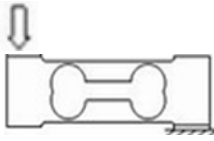
Capacity	0.3, 0.6, 1, 1.5, 3(Kg)	Operating Temp. Range	-20 - + 60°C
Accuracy	C3, C4, C5	Recommended Excitation	5 - 12VDC
Output Sensitivity	1.0±10%mv/v	Max. Excitation Voltage	18VDC
Zero Balance	±5%F.S.	Safe Overload	150%F.S.
Combined Error	±0.15%F.S.	Ultimate Overload	200%F.S.
Creep in 30 Minutes	±0.02%F.S.	Insulation Resistance	≥2000MΩ(50VDC)
Linearity Error	±0.015%F.S.	Cable Length	φ4mm*250mm
Repeatability Error	±0.01%F.S.	Protection Class	IP65
Hysteresis Error	±0.01%F.S.	Wiring Code (4-wire, Braid shielded, PVC Cable):	
Input Resistance	405±10Ω		
Output Resistance	350±3Ω		
Temp. Effect on Sensitivity	±0.02%F.S./10°C		
Temp. Effect on Zero	±0.03%F.S./10°C		
Compensated Temp. Range	-10 - + 40°C		



Note:

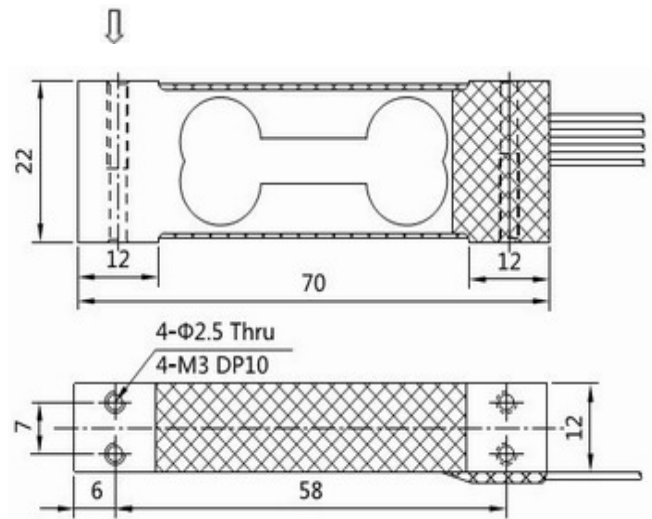
- * Size, Capacity and Thread Type Could be Customized according to your requirement.
- * All specifications subject to change without notice, please confirm before order.

NRK406 (Single Point Load Cell)



Features:

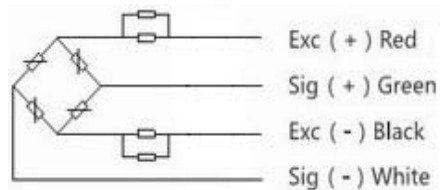
- * Comply with OIML Standard
- * Aluminum Alloy Construction
- * High Accuracy
- * Used in Electronic Balance, Counting Scale , etc.
- * Max. Platform Size: 150×150mm



RoHS

NRK406 Specification:

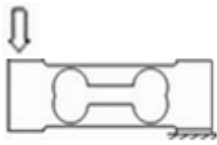
Capacity	0.3, 0.5 1.5, 3, 6(Kg)	Operating Temp. Range	-20 - + 60°C
Accuracy	C3, C4	Recommended Excitation	5 - 12VDC
Output Sensitivity	1.0±10%mv/v	Max. Excitation Voltage	18VDC
Zero Balance	±5%F.S.	Safe Overload	150%F.S.
Combined Error	±0.02%F.S.	Ultimate Overload	200%F.S.
Creep in 30 Minutes	±0.02%F.S.	Insulation Resistance	≥2000MΩ(50VDC)
Linearity Error	±0.015%F.S.	Cable Length	φ0.8mm*200mm
Repeatability Error	±0.01%F.S.	Protection Class	IP65
Hysteresis Error	±0.01%F.S.	Wiring Code (4-color wires):	
Input Resistance	395±10Ω		
Output Resistance	350±3Ω		
Temp. Effect on Sensitivity	±0.03%F.S./10°C		
Temp. Effect on Zero	±0.03%F.S./10°C		
Compensated Temp. Range	-10 - + 40°C		



Note:

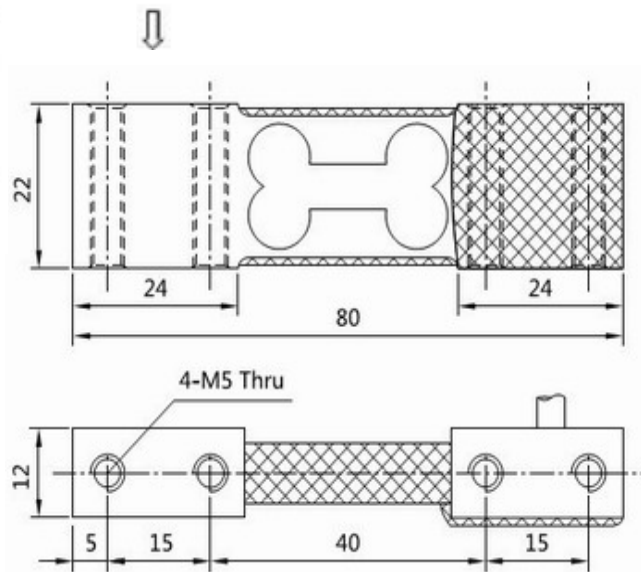
- * Cable Length, Capacity and Thread Type Could be Customized according to your requirement.
- * All specifications subject to change without notice, please confirm before order.

NRK407 (Single Point Load Cell)



Features:

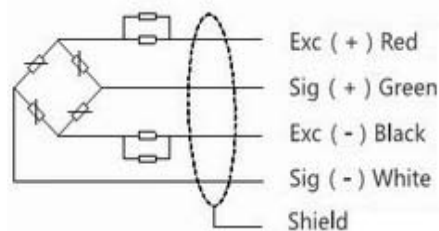
- * Comply with OIML Standard
- * Aluminum Alloy Construction
- * Used in Electronic Balance, Counting Scale , etc.
- * Max. Platform Size: 150×150mm



RoHS

NRK407 Specification:

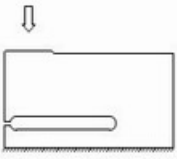
Capacity	1.5, 2, 3, 6(Kg)	Operating Temp. Range	-20 - + 60°C
Accuracy	C2	Recommended Excitation	5 - 12VDC
Output Sensitivity	1.0±10%mv/v	Max. Excitation Voltage	18VDC
Zero Balance	±5%F.S.	Safe Overload	150%F.S.
Combined Error	±0.02%F.S.	Ultimate Overload	200%F.S.
Creep in 30 Minutes	±0.03%F.S.	Insulation Resistance	≥2000MΩ(50VDC)
Linearity Error	±0.015%F.S.	Cable Length	φ4mm*200mm
Repeatability Error	±0.015%F.S.	Protection Class	IP65
Hysteresis Error	±0.015%F.S.	Wiring Code (4-wire, Braid shielded, PVC Cable):	
Input Resistance	1130±20Ω		
Output Resistance	1000±10Ω		
Temp. Effect on Sensitivity	±0.05%F.S./10°C		
Temp. Effect on Zero	±1.5%F.S./10°C		
Compensated Temp. Range	-10 - + 40°C		



Note:

- * Size, Capacity and Thread Type Could be Customized according to your requirement.
- * All specifications subject to change without notice, please confirm before order.

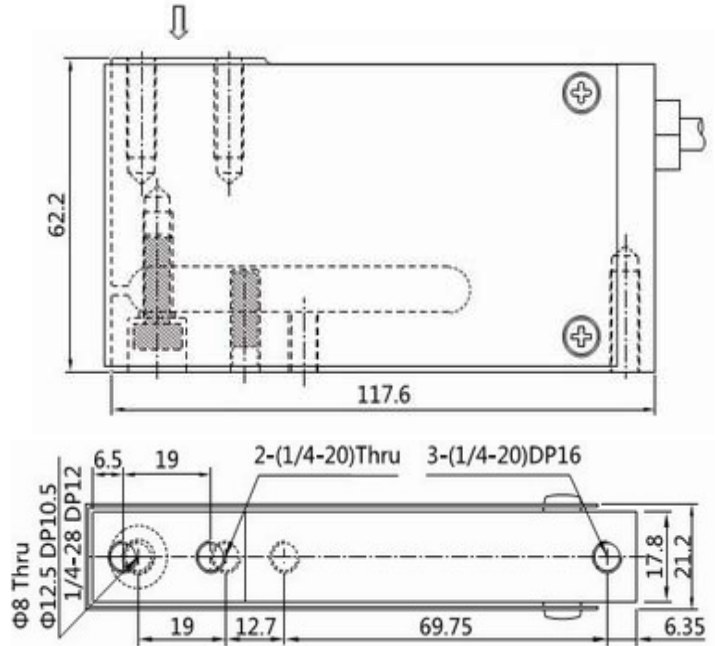
NRP350 (Single Point Load Cell)



RoHS

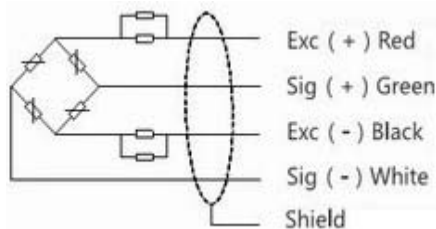
Features:

- * Comply with OIML Standard
- * Stainless Steel Construction
- * Humidity-proof, Overload protection.
- * Used in Platform Scale, Counting Scale, Packing Applications, etc.
- * Max. Platform Size: 200×200mm



NRP350 Specification:

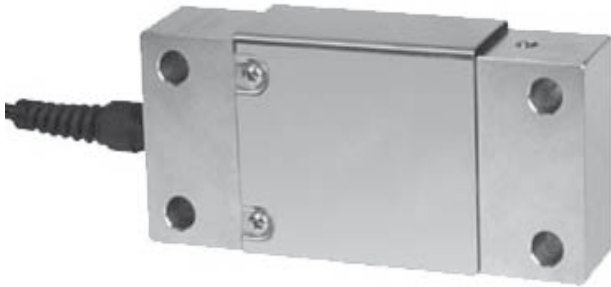
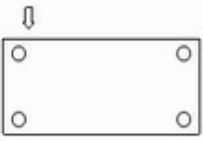
Capacity	10, 15, 25, 50(Kg)	Operating Temp. Range	-20 - + 60°C
Accuracy	C3	Recommended Excitation	5 - 12VDC
Output Sensitivity	2.0±0.25%mv/v	Max. Excitation Voltage	18VDC
Zero Balance	±2%F.S.	Safe Overload	150%F.S.
Combined Error	±0.02%F.S.	Ultimate Overload	200%F.S.
Creep in 30 Minutes	±0.03%F.S.	Insulation Resistance	≥5000MΩ(50VDC)
Linearity Error	±0.02%F.S.	Cable Length	φ3mm*3000mm
Repeatability Error	±0.015%F.S.	Protection Class	IP65
Hysteresis Error	±0.015%F.S.	Wiring Code (4-wire, Braid shielded, PVC Cable):	
Input Resistance	385±10Ω		
Output Resistance	350±3Ω		
Temp. Effect on Sensitivity	±0.03%F.S./10°C		
Temp. Effect on Zero	±0.03%F.S./10°C		
Compensated Temp. Range	-10 - + 40°C		



Note:

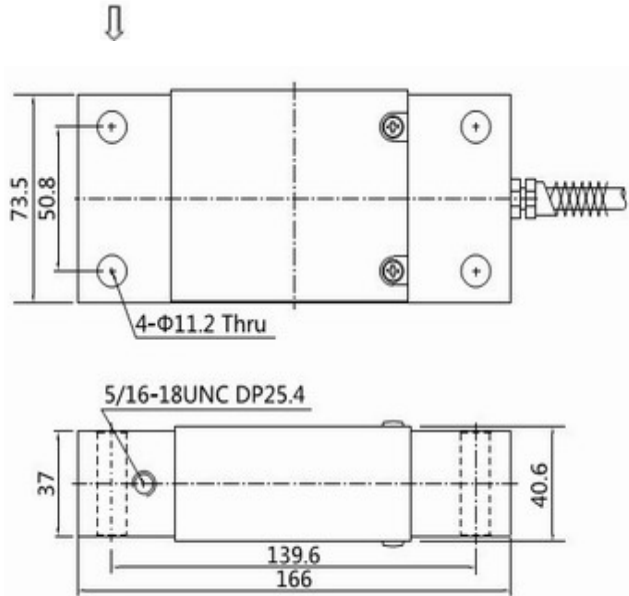
- * Size, Capacity and Thread Type Could be Customized according to your requirement.
- * All specifications subject to change without notice, please confirm before order.

NRP351 (Single Point Load Cell)



Features:

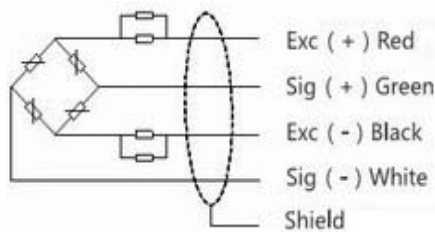
- * Comply with OIML Standard
- * Stainless Steel Construction
- * Humidity-proof, Overload protection.
- * Used in Platform Scale, Counting Scale, Packing Applications, etc.
- * Max. Platform Size: 400×400mm



RoHS

NRP351 Specification:

Capacity	25, 50, 75, 100, 250(Kg)
Accuracy	C3
Output Sensitivity	2.0±0.25%mv/v
Zero Balance	±2%F.S.
Combined Error	±0.02%F.S.
Creep in 30 Minutes	±0.03%F.S.
Linearity Error	±0.02%F.S.
Repeatability Error	±0.015%F.S.
Hysteresis Error	±0.015%F.S.
Input Resistance	385±10Ω
Output Resistance	350±3Ω
Temp. Effect on Sensitivity	±0.03%F.S./10°C
Temp. Effect on Zero	±0.03%F.S./10°C
Compensated Temp. Range	-10 - +40°C
Operating Temp. Range	-20 - +60°C
Recommended Excitation	5 - 12VDC
Max. Excitation Voltage	18VDC
Safe Overload	150%F.S.
Ultimate Overload	200%F.S.
Insulation Resistance	≥5000MΩ(50VDC)
Cable Length	φ3mm*3000mm
Protection Class	IP65
Wiring Code (4-wire, Braid shielded, PVC Cable):	



Note:

- * Size, Capacity and Thread Type Could be Customized according to your requirement.
- * All specifications subject to change without notice, please confirm before order.

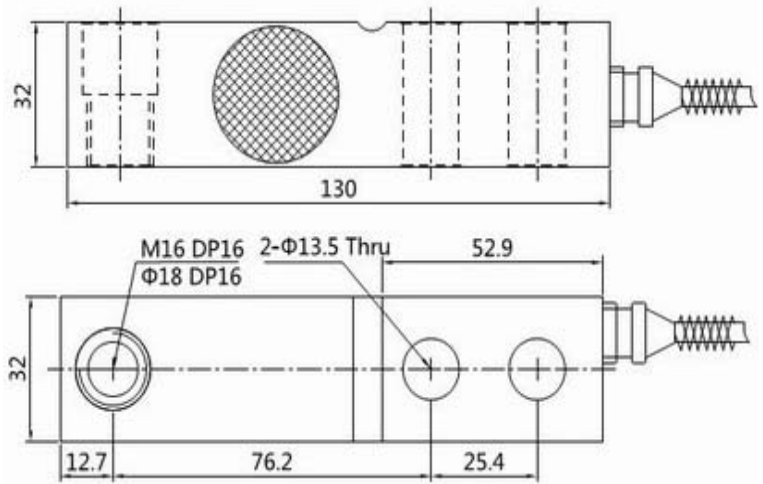
NRG201 (Shear Beam Load Cell)



Features:

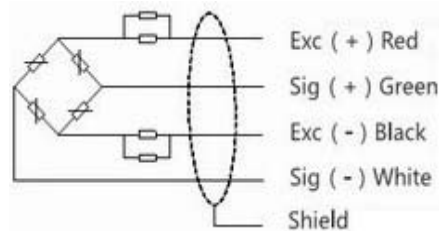
- * Comply with OIML Standard
- * Alloy Steel Construction
- * Used in Platform Scales, Floor Scales, etc.

RoHS



NRG201 Specification:

Capacity	500, 1000, 2000, 3000(Kg)	Operating Temp. Range	-20 - + 60°C
Accuracy	C3	Recommended Excitation	5 - 12VDC
Output Sensitivity	3.0±0.25%mv/v	Max. Excitation Voltage	18VDC
Zero Balance	±2%F.S.	Safe Overload	150%F.S.
Combined Error	±0.03%F.S.	Ultimate Overload	200%F.S.
Creep in 30 Minutes	±0.03%F.S.	Insulation Resistance	≥2000MΩ(50VDC)
Linearity Error	±0.03%F.S.	Cable Length	φ5mm*3000mm
Repeatability Error	±0.03%F.S.	Protection Class	IP66
Hysteresis Error	±0.03%F.S.	Wiring Code (4-wire, Braid shielded, PVC Cable):	
Input Resistance	385±10Ω		
Output Resistance	350±3Ω		
Temp. Effect on Sensitivity	±0.03%F.S.		
Temp. Effect on Zero	±0.05%F.S./10°C		
Compensated Temp. Range	-10 - + 40°C		



Note:

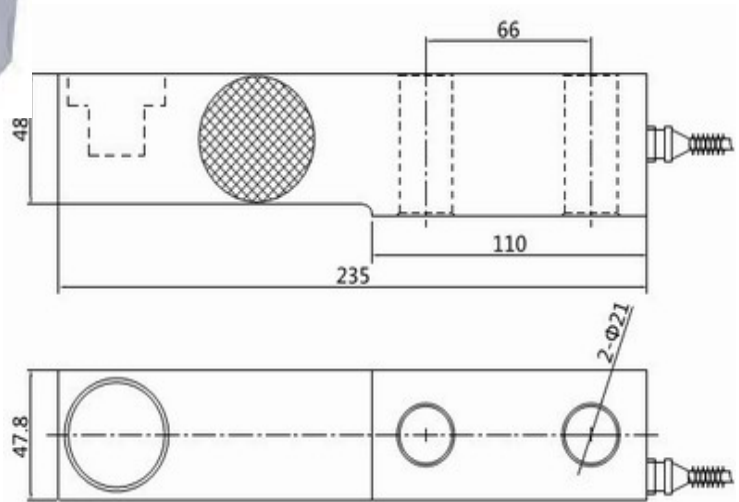
- * Size, Capacity and Thread Type Could be Customized according to your requirement.
- * All specifications subject to change without notice, please confirm before order.

NRG202 (Shear Beam Load Cell)



Features:

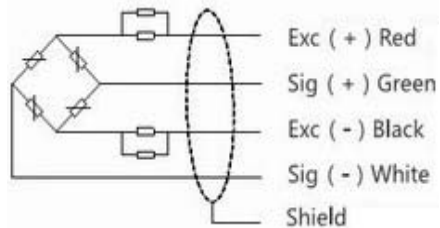
- * Comply with OIML Standard
- * Alloy Steel Construction
- * Used in Platform Scales, Floor Scales, etc.



RoHS

NRG202 Specification:

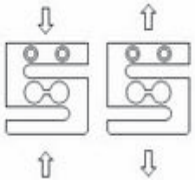
Capacity	5000, 8000(Kg)	Operating Temp. Range	-20 - + 60°C
Accuracy	C3	Recommended Excitation	5 - 12VDC
Output Sensitivity	2.0±0.25%mv/v	Max. Excitation Voltage	18VDC
Zero Balance	±2%F.S.	Safe Overload	150%F.S.
Combined Error	±0.03%F.S.	Ultimate Overload	200%F.S.
Creep in 30 Minutes	±0.03%F.S.	Insulation Resistance	≥2000MΩ(50VDC)
Linearity Error	±0.03%F.S.	Cable Length	φ6mm*8000mm
Repeatability Error	±0.03%F.S.	Protection Class	IP66
Hysteresis Error	±0.03%F.S.	Wiring Code (4-wire, Braid shielded, PVC Cable):	
Input Resistance	385±10Ω		
Output Resistance	350±3Ω		
Temp. Effect on Sensitivity	±0.03%F.S.		
Temp. Effect on Zero	±0.05%F.S./10°C		
Compensated Temp. Range	-10 - + 40°C		



Note:

- * Size, Capacity and Thread Type Could be Customized according to your requirement.
- * All specifications subject to change without notice, please confirm before order.

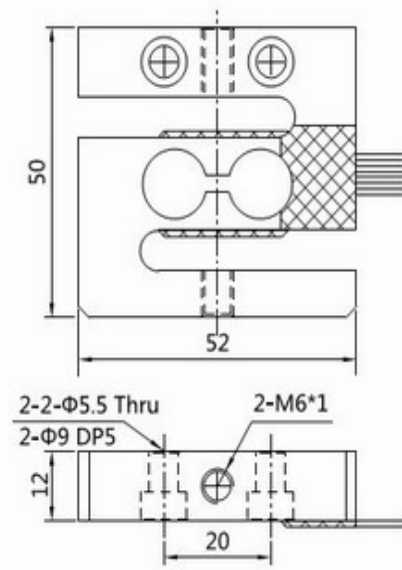
NRS501 (S-Type Load Cell)



RoHS

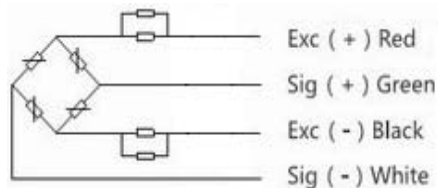
Features:

- * Comply with OIML Standard
- * Aluminum Alloy Construction
- * Used in Crane Scales, Tensile Application, etc.



NRS501 Specification:

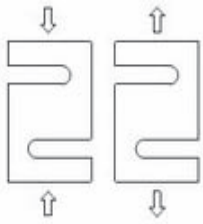
Capacity	2, 5, 10, 20, 30, 50, 100 (Kg)	Operating Temp. Range	-20 - + 60°C
Accuracy	C3	Recommended Excitation	5 - 12VDC
Output Sensitivity	2.0±10%mv/v	Max. Excitation Voltage	18VDC
Zero Balance	±2%F.S.	Safe Overload	150%F.S.
Combined Error	±0.02%F.S.	Ultimate Overload	200%F.S.
Creep in 30 Minutes	±0.03%F.S.	Insulation Resistance	≥2000MΩ(50VDC)
Linearity Error	±0.02%F.S.	Cable Length	φ0.8mm*500mm
Repeatability Error	±0.015%F.S.	Protection Class	IP65
Hysteresis Error	±0.015%F.S.	Wiring Code (4-color wires):	
Input Resistance	395±10Ω		
Output Resistance	350±5Ω		
Temp. Effect on Sensitivity	±0.03%F.S./10°C		
Temp. Effect on Zero	±0.05%F.S./10°C		
Compensated Temp. Range	-10 - + 40°C		



Note:

- * Size, Cable Length, Capacity and Thread Type Could be Customized according to your requirement.
- * All specifications subject to change without notice, please confirm before order.

NRS502 (S-Type Load Cell)

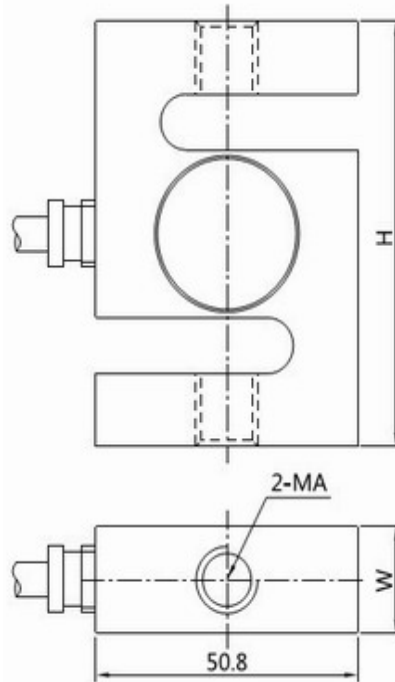


RoHS

CAP(kg)	A	H	W
5/10/15/20	M6	63.5	12.7
30/50/100/200	M12	76.2	25.4

Features:

- * Comply with OIML Standard
- * Aluminum Alloy Construction
- * Used in Crane Scales, Tensile Application, etc.



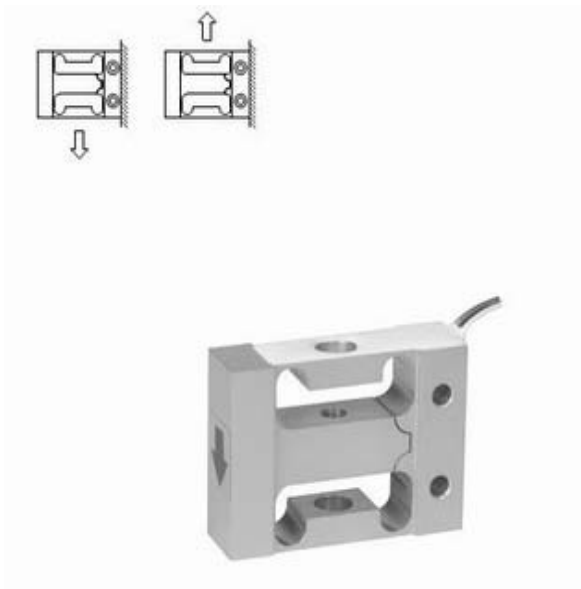
NRS502 Specification:

Capacity	2, 5, 10, 20, 30, 50, 100 (Kg)		
Accuracy	C3	Operating Temp. Range	-20 - + 60°C
Output Sensitivity	2.0±10%mv/v	Recommended Excitation	5 - 12VDC
Zero Balance	±2%F.S.	Max. Excitation Voltage	18VDC
Combined Error	±0.028%F.S.	Safe Overload	150%F.S.
Creep in 30 Minutes	±0.03%F.S.	Ultimate Overload	200%F.S.
Linearity Error	±0.03%F.S.	Insulation Resistance	≥2000MΩ(50VDC)
Repeatability Error	±0.02%F.S.	Cable Length	φ5mm*2000mm
Hysteresis Error	±0.02%F.S.	Protection Class	IP66
Input Resistance	405±10Ω	Wiring Code (4 wires, Braid Shielded, PVC Cable):	
Output Resistance	350±5Ω		
Temp. Effect on Sensitivity	±0.03%F.S./10°C		
Temp. Effect on Zero	±0.05%F.S./10°C		
Compensated Temp. Range	-10 - + 40°C		

Note:

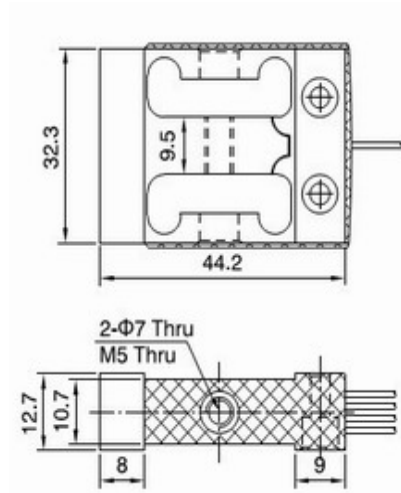
- * Size, Cable Length, Capacity and Thread Type Could be Customized according to your requirement.
- * All specifications subject to change without notice, please confirm before order.

NRS505 (S-Type Load Cell)



Features:

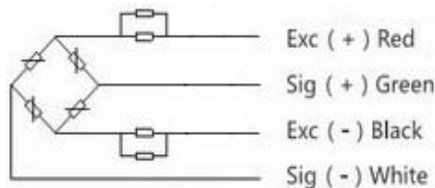
- * Comply with OIML Standard
- * Aluminum Alloy Construction
- * High Accuracy
- * Used in Crane Scales, Hopper Scales. Tensile Application, etc.



RoHS

NRS505 Specification:

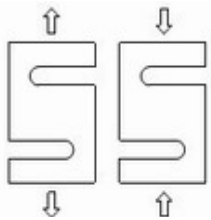
Capacity	1, 5, 10, 50(Kg)	Operating Temp. Range	-20 - + 60°C
Accuracy	C3	Recommended Excitation	5 - 12VDC
Output Sensitivity	2.0±10%mv/v	Max. Excitation Voltage	18VDC
Zero Balance	±2%F.S.	Safe Overload	150%F.S.
Combined Error	±0.028%F.S.	Ultimate Overload	300%F.S.
Creep in 30 Minutes	±0.03%F.S.	Insulation Resistance	≥ 5000MΩ(50VDC)
Linearity Error	±0.02%F.S.	Cable Length	φ0.8mm*500mm
Repeatability Error	±0.015%F.S.	Protection Class	IP65
Hysteresis Error	±0.015%F.S.	Wiring Code (4-color wires):	
Input Resistance	395±10Ω		
Output Resistance	350±5Ω		
Temp. Effect on Sensitivity	±0.03%F.S./10°C		
Temp. Effect on Zero	±0.05%F.S./10°C		
Compensated Temp. Range	-10 - + 40°C		



Note:

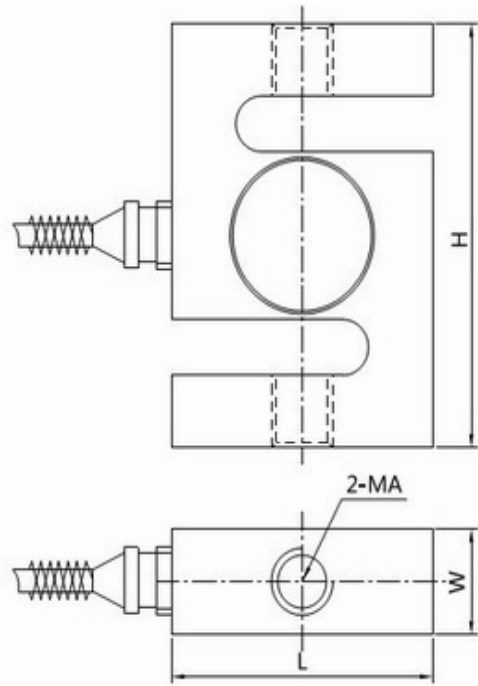
- * Size, Cable Length, Capacity and Thread Type Could be Customized according to your requirement.
- * All specifications subject to change without notice, please confirm before order.

NRS506 (S-Type Load Cell)



Features:

- * Comply with OIML Standard
- * Alloy Steel Construction
- * Used in Crane Scales, Tensile Application, etc.

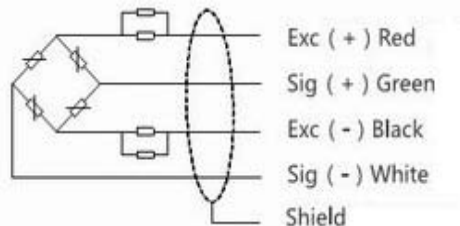


RoHS

CAP(kg)	A	W	H	L
100/200/300	M12	19	76.2	50.8
500/1000/1500	M16	25.4	76.2	50.8
5000	M18	25.4	108	86

NRS506 Specification:

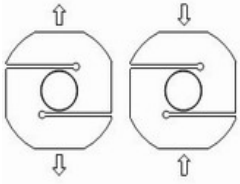
Capacity	100, 200, 300, 500, 1000, 1500(Kg)	Operating Temp. Range	-20 - + 60°C
Accuracy	C3	Recommended Excitation	5 - 12VDC
Output Sensitivity	2.0±5%mv/v	Max. Excitation Voltage	18VDC
Zero Balance	±2%F.S.	Safe Overload	150%F.S.
Combined Error	±0.03%F.S.	Ultimate Overload	200%F.S.
Creep in 30 Minutes	±0.03%F.S.	Insulation Resistance	≥2000MΩ(50VDC)
Linearity Error	±0.028%F.S.	Cable Length	φ5mm*3000mm
Repeatability Error	±0.02%F.S.	Protection Class	IP66
Hysteresis Error	±0.02%F.S.	Wiring Code (4 wires, Braid Shielded, PVC Cable):	
Input Resistance	385±10Ω		
Output Resistance	350±5Ω		
Temp. Effect on Sensitivity	±0.03%F.S./10°C		
Temp. Effect on Zero	±0.05%F.S./10°C		
Compensated Temp. Range	-10 - + 40°C		



Note:

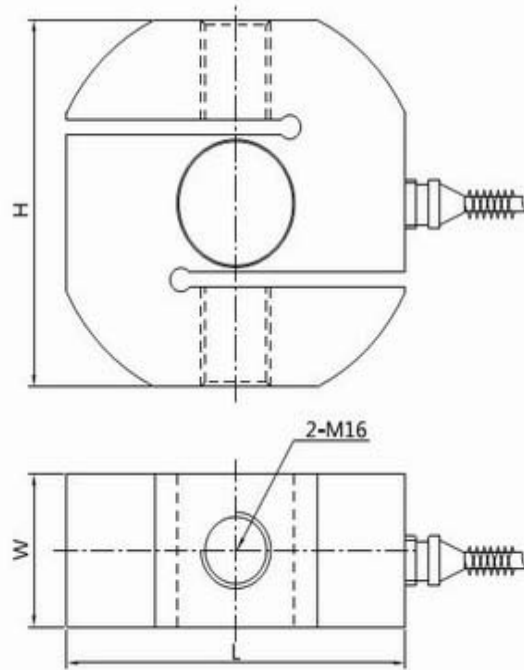
- * Cable Length, Capacity and Thread Type Could be Customized according to your requirement.
- * All specifications subject to change without notice, please confirm before order.

NRS507 (S-Type Load Cell)



Features:

- * Comply with OIML Standard
- * Alloy Steel Construction
- * Used in Crane Scales, Tensile Application, etc.

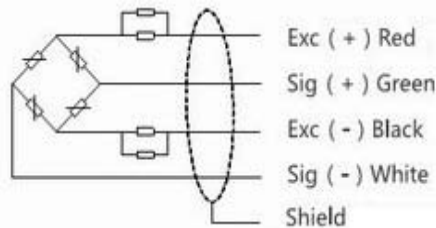


RoHS

CAP(kg)	L	H	W
1000	69	69	22
2000	76.8	76.8	32

NRS507 Specification:

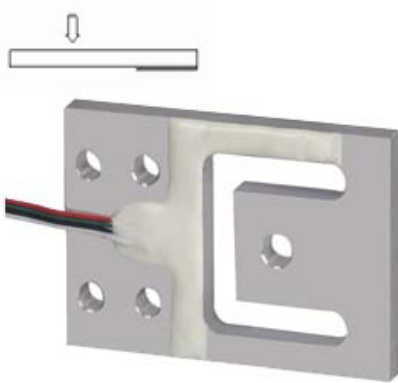
Capacity	1000, 2000(Kg)	Operating Temp. Range	-20 - + 60°C
Accuracy	C3	Recommended Excitation	5 - 12VDC
Output Sensitivity	2.0±5%mv/v	Max. Excitation Voltage	18VDC
Zero Balance	±2%F.S.	Safe Overload	150%F.S.
Combined Error	±0.03%F.S.	Ultimate Overload	200%F.S.
Creep in 30 Minutes	±0.03%F.S.	Insulation Resistance	≥2000MΩ(50VDC)
Linearity Error	±0.028%F.S.	Cable Length	φ5mm*3000mm
Repeatability Error	±0.02%F.S.	Protection Class	IP66
Hysteresis Error	±0.02%F.S.	Wiring Code (4 wires, Braid Shielded, PVC Cable):	
Input Resistance	385±10Ω		
Output Resistance	350±5Ω		
Temp. Effect on Sensitivity	±0.03%F.S./10°C		
Temp. Effect on Zero	±0.05%F.S./10°C		
Compensated Temp. Range	-10 - + 40°C		



Note:

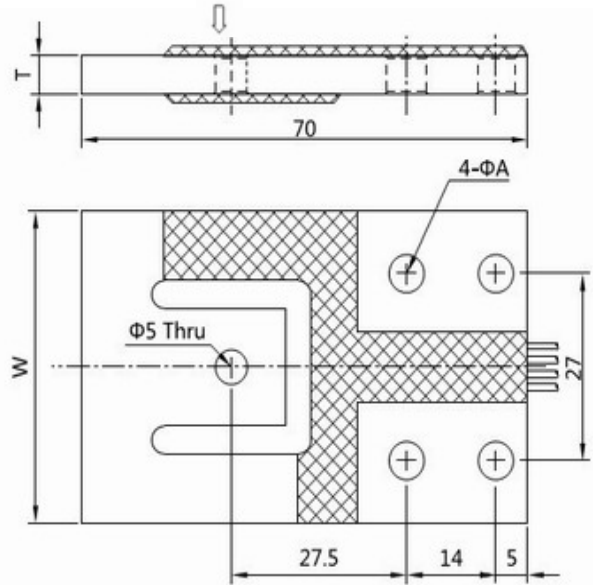
- * Cable Length, Capacity and Thread Type Could be Customized according to your requirement.
- * All specifications subject to change without notice, please confirm before order.

NRF351 (Flat Type Load Cell)



Features:

- * Aluminum Alloy Construction
- * Flat Structure
- * Used in Low Profile Scales, etc.

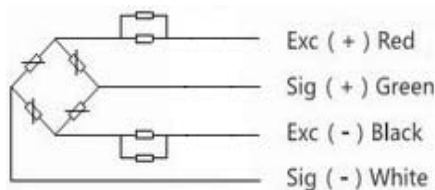


RoHS

CAP	Output	ΦA	T	W
30	1.5	5.1	3.50	39
75	1.5	6.1	4.52	45
150	2.0	6.1	5.50	45
300	2.0	6.1	7.75	45

NRF351 Specification:

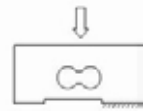
Capacity	30, 75, 150, 300(Kg)	Operating Temp. Range	-20 - + 60°C
Accuracy	C2	Recommended Excitation	≤10VDC
Output Sensitivity	(1.0-2.0)±10%mv/v	Max. Excitation Voltage	10VDC
Zero Balance	±0.1mv/v	Safe Overload	150%F.S.
Combined Error	±0.05%F.S.	Ultimate Overload	200%F.S.
Creep in 30 Minutes	±0.05%F.S.	Insulation Resistance	≥2000MΩ(50VDC)
Linearity Error	±0.05%F.S.	Cable Length	φ0.8mm*600mm
Repeatability Error	±0.05%F.S.	Protection Class	IP65
Hysteresis Error	±0.05%F.S.	Wiring Code (4-color wires):	
Input Resistance	1130±20Ω		
Output Resistance	1000±10Ω		
Temp. Effect on Sensitivity	±0.05%F.S./10°C		
Temp. Effect on Zero	±2%F.S./10°C		
Compensated Temp. Range	-		



Note:

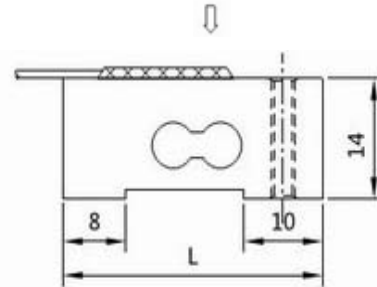
- * Size, Cable Length, Capacity and Thread Type Could be Customized according to your requirement.
- * All specifications subject to change without notice, please confirm before order.

NRF353 (Flat Type Load Cell)



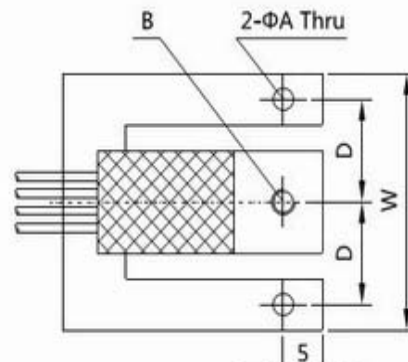
Features:

- * Aluminum Alloy Construction
- * Flat Structure
- * Used in Low Profile Scales, etc.



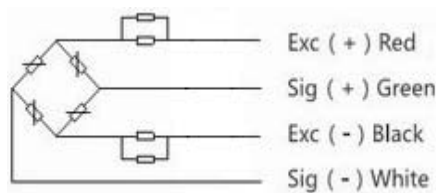
RoHS

CAP	A	B	D	W	L
50kg	Φ3.2	M3	12	30	33
75kg	Φ6.2	M6	17	44	40
100kg	M6	M6	17	44	40
150kg	Φ6.2	M6	17	44	40



NRF353 Specification:

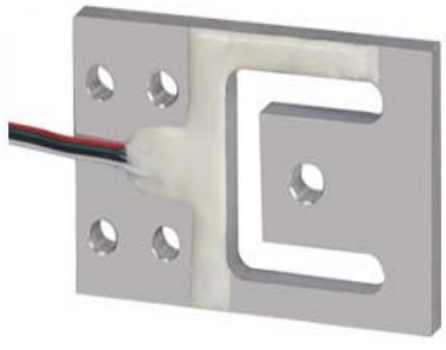
Capacity	50, 75, 100, 150(Kg)	Operating Temp. Range	-20 - + 60°C
Accuracy	C2	Recommended Excitation	≤10VDC
Output Sensitivity	1.0±10%mv/v	Max. Excitation Voltage	10VDC
Zero Balance	±0.1mv/v	Safe Overload	150%F.S.
Combined Error	±0.05%F.S.	Ultimate Overload	200%F.S.
Creep in 30 Minutes	±0.05%F.S.	Insulation Resistance	≥2000MΩ(50VDC)
Linearity Error	±0.05%F.S.	Cable Length	φ0.8mm*600mm
Repeatability Error	±0.05%F.S.	Protection Class	IP65
Hysteresis Error	±0.05%F.S.	Wiring Code (4-color wires):	
Input Resistance	1130±20Ω		
Output Resistance	1000±10Ω		
Temp. Effect on Sensitivity	±0.05%F.S./10°C		
Temp. Effect on Zero	±2%F.S./10°C		
Compensated Temp. Range	-		



Note:

- * Size, Cable Length, Capacity and Thread Type Could be Customized according to your requirement.
- * All specifications subject to change without notice, please confirm before order.

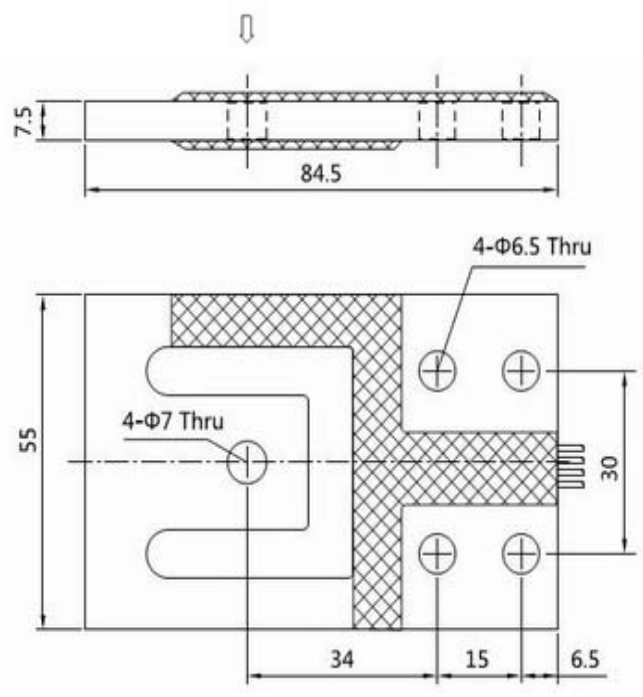
NRF356 (Flat Type Load Cell)



RoHS

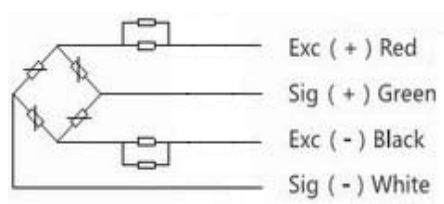
Features:

- * Aluminum Alloy Construction
- * Flat Structure
- * Used in Low Profile Scales, etc.



NRF356 Specification:

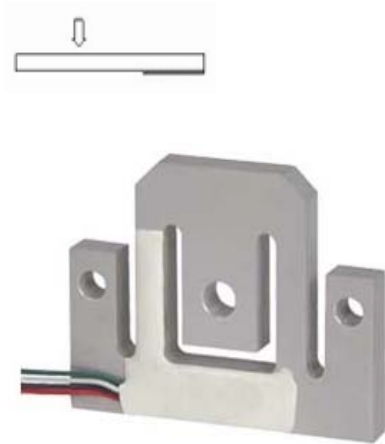
Capacity	75, 150, 300(Kg)	Operating Temp. Range	-20 - + 60°C
Accuracy	C2	Recommended Excitation	≤10VDC
Output Sensitivity	1.0±10%mv/v	Max. Excitation Voltage	10VDC
Zero Balance	±0.1mv/v	Safe Overload	150%F.S.
Combined Error	±0.05%F.S.	Ultimate Overload	200%F.S.
Creep in 30 Minutes	±0.05%F.S.	Insulation Resistance	≥2000MΩ(50VDC)
Linearity Error	±0.05%F.S.	Cable Length	φ0.8mm*600mm
Repeatability Error	±0.05%F.S.	Protection Class	IP65
Hysteresis Error	±0.05%F.S.	Wiring Code (4-color wires):	
Input Resistance	1130±20Ω		
Output Resistance	1000±10Ω		
Temp. Effect on Sensitivity	±0.05%F.S./10°C		
Temp. Effect on Zero	±2%F.S./10°C		
Compensated Temp. Range	-		



Note:

- * Size, Cable Length, Capacity and Thread Type Could be Customized according to your requirement.
- * All specifications subject to change without notice, please confirm before order.

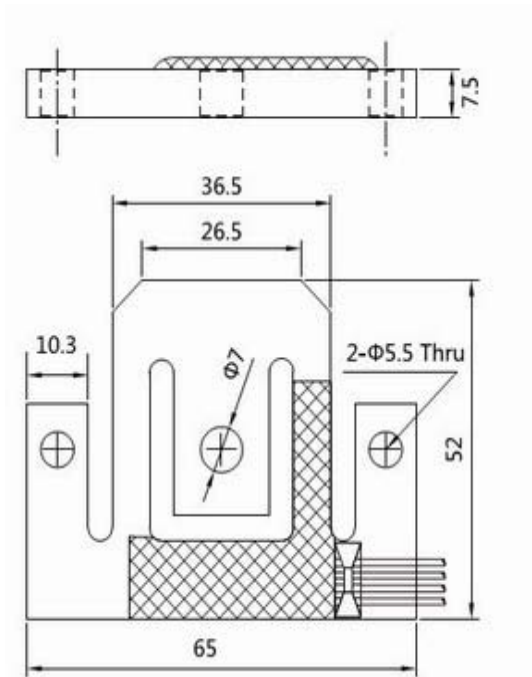
NRF357 (Flat Type Load Cell)



RoHS

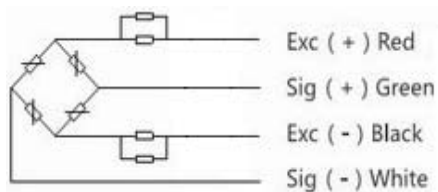
Features:

- * Aluminum Alloy Construction
- * Flat Structure
- * Used in Low Profile Scales, etc.



NRF357 Specification:

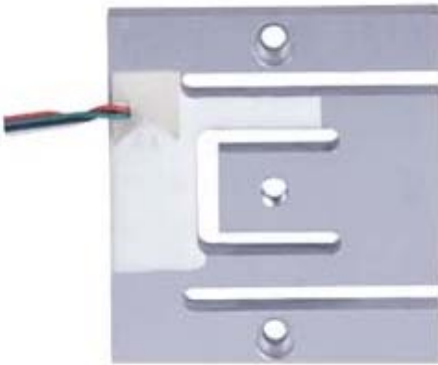
Capacity	75, 150, 300(Kg)	Operating Temp. Range	-20 - + 60°C
Accuracy	C3	Recommended Excitation	≤10VDC
Output Sensitivity	0.8±10%mv/v	Max. Excitation Voltage	10VDC
Zero Balance	±0.1mv/v	Safe Overload	150%F.S.
Combined Error	±0.03%F.S.	Ultimate Overload	200%F.S.
Creep in 30 Minutes	±0.03%F.S.	Insulation Resistance	≥2000MΩ(50VDC)
Linearity Error	±0.03%F.S.	Cable Length	φ0.8mm*600mm
Repeatability Error	±0.03%F.S.	Protection Class	IP65
Hysteresis Error	±0.03%F.S.	Wiring Code (4-color wires):	
Input Resistance	1130±20Ω		
Output Resistance	1000±10Ω		
Temp. Effect on Sensitivity	±0.03%F.S./10°C		
Temp. Effect on Zero	±0.05%F.S./10°C		
Compensated Temp. Range	-		



Note:

- * Size, Cable Length, Capacity and Thread Type Could be Customized according to your requirement.
- * All specifications subject to change without notice, please confirm before order.

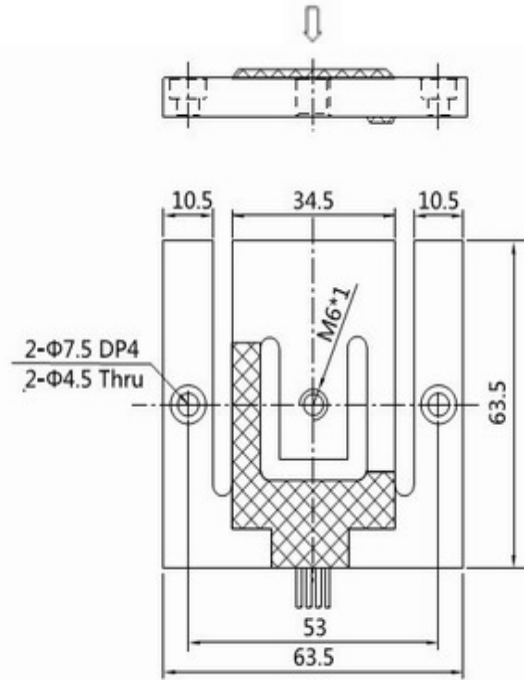
NRF358 (Flat Type Load Cell)



RoHS

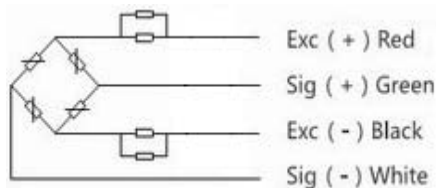
Features:

- * Aluminum Alloy Construction
- * Flat Structure
- * Used in Low Profile Scales, etc.



NRF358 Specification:

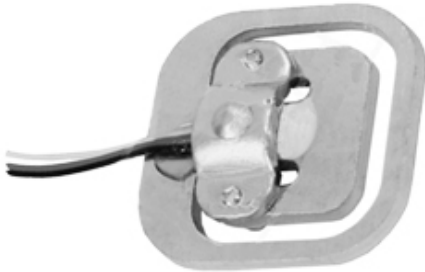
Capacity	75, 125(Kg)	Operating Temp. Range	-20 - + 60°C
Accuracy	C3	Recommended Excitation	≤10VDC
Output Sensitivity	0.8±10%mv/v	Max. Excitation Voltage	10VDC
Zero Balance	±0.05mv/v	Safe Overload	150%F.S.
Combined Error	±0.03%F.S.	Ultimate Overload	200%F.S.
Creep in 30 Minutes	±0.05%F.S.	Insulation Resistance	≥2000MΩ(50VDC)
Linearity Error	±0.03%F.S.	Cable Length	φ0.8mm*600mm
Repeatability Error	±0.05%F.S.	Protection Class	IP65
Hysteresis Error	±0.03%F.S.	Wiring Code (4-color wires):	
Input Resistance	1130±20Ω		
Output Resistance	1000±10Ω		
Temp. Effect on Sensitivity	±0.03%F.S./10°C		
Temp. Effect on Zero	±0.05%F.S./10°C		
Compensated Temp. Range	-		



Note:

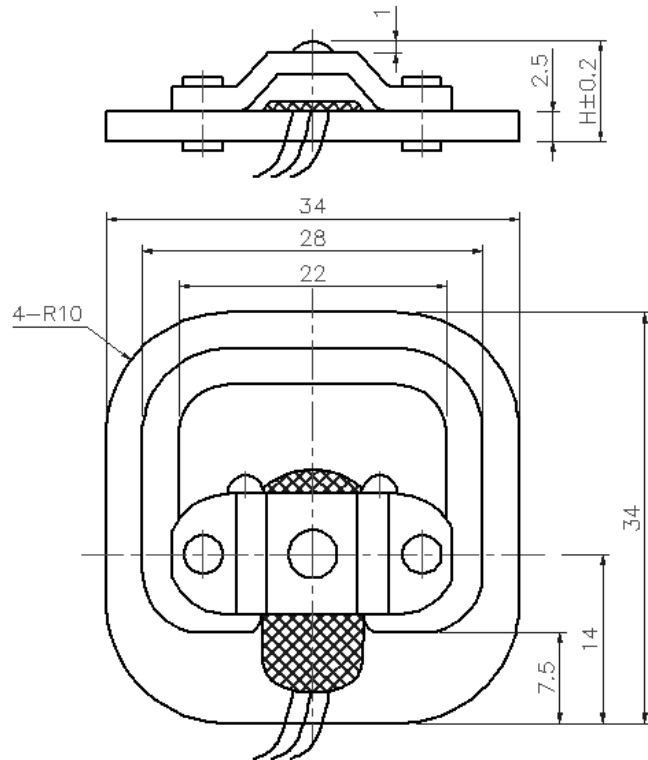
- * Size, Cable Length, Capacity and Thread Type Could be Customized according to your requirement.
- * All specifications subject to change without notice, please confirm before order.

NRF360 (Flat Type Load Cell)



Features:

- * Steel Construction
- * Flat Structure
- * Used in Low Profile Scales, etc.



RoHS

Capacity:	50Kg	75Kg
H	7.8	8.3

NRF360 Specification:

Capacity	50, 75(Kg)	Operating Temp. Range	-10 - + 40°C
Accuracy	C1	Recommended Excitation	≤10VDC
Output Sensitivity	(1.0±0.15%mv/v	Max. Excitation Voltage	10VDC
Zero Balance	±0.3mv/v	Safe Overload	120%F.S.
Combined Error	±0.3%F.S.	Ultimate Overload	150%F.S.
Creep in 30 Minutes	±0.05%F.S.	Insulation Resistance	≥2000MΩ(50VDC)
Linearity Error	±0.2%F.S.	Cable Length	φ0.8mm*420mm
Repeatability Error	±0.1%F.S.	Protection Class	IP65
Hysteresis Error	±0.2%F.S.	Wiring Code (3-color wires):	
Input Resistance	1000±10Ω		
Output Resistance	1000±10Ω		
Temp. Effect on Sensitivity	±0.3%F.S./10°C		
Temp. Effect on Zero	±0.3%F.S./10°C		
Compensated Temp. Range	-		

Note:

- * Size, Cable Length, Capacity and Thread Type Could be Customized according to your requirement.
- * All specifications subject to change without notice, please confirm before order.

NRA601 NRA601B (Single Point Load Cell)

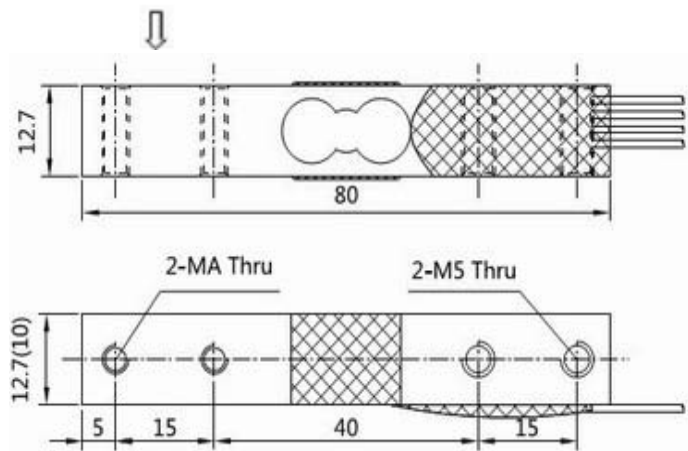


Features:

- * Aluminum Alloy Construction
- * Miniature Structure
- * Used in Electronic Balance, kitchen Scales, etc.
- * Max. Platform Size: 150×150mm

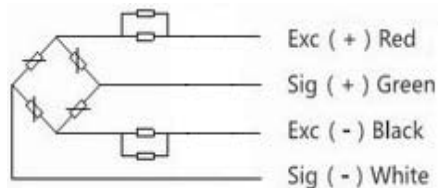
RoHS

TYPE	A
TA601	5
TA601B	4



NRA601 NRA601B Specification:

Capacity	1, 3, 5, 10, 20(Kg)	Operating Temp. Range	-20 - + 60°C
Accuracy	C2	Recommended Excitation	≤6VDC
Output Sensitivity	1.0±20%mv/v	Max. Excitation Voltage	6VDC
Zero Balance	±5%F.S.	Safe Overload	150%F.S.
Combined Error	±0.05%F.S.	Ultimate Overload	200%F.S.
Creep in 30 Minutes	±0.05%F.S.	Insulation Resistance	≥2000MΩ(50VDC)
Linearity Error	±0.05%F.S.	Cable Length	φ0.8mm*200mm
Repeatability Error	±0.05%F.S.	Protection Class	IP65
Hysteresis Error	±0.05%F.S.	Wiring Code (4-color wires):	
Input Resistance	1130±20Ω		
Output Resistance	1000±10Ω		
Temp. Effect on Sensitivity	±0.05%F.S./10°C		
Temp. Effect on Zero	±0.05%F.S./10°C		
Compensated Temp. Range	-		



Note:

- * Size, Cable Length, Capacity and Thread Type Could be Customized according to your requirement.
- * All specifications subject to change without notice, please confirm before order.

NRA603 NRA603B (Single Point Load Cell)

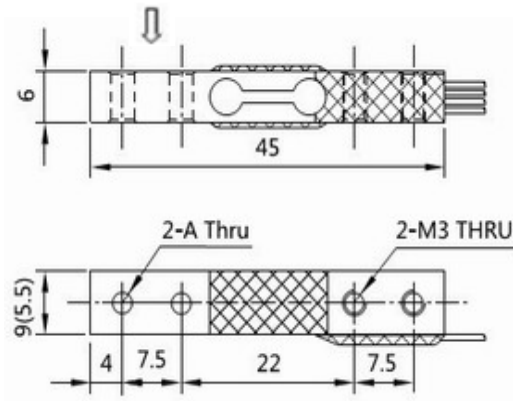


Features:

- * Aluminum Alloy Construction
- * Miniature Structure
- * Used in Pocket Scale and other weighing application with limited space, etc.

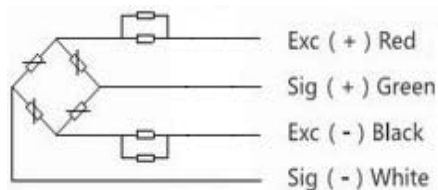
RoHS

TYPE	A
TA603	φ3.2
TA603B	M3



NRA603 NRA603B Specification:

Capacity	0.15, 0.3, 0.5, 0.7(Kg)	Operating Temp. Range	-10 - + 40°C
Accuracy	C2	Recommended Excitation	≤6VDC
Output Sensitivity	0.65±20%mv/v	Max. Excitation Voltage	6VDC
Zero Balance	±15%F.S.	Safe Overload	150%F.S.
Combined Error	±0.05%F.S.	Ultimate Overload	200%F.S.
Creep in 30 Minutes	±0.05%F.S.	Insulation Resistance	≥2000MΩ(50VDC)
Linearity Error	±0.05%F.S.	Cable Length	φ0.6mm*100mm
Repeatability Error	±0.05%F.S.	Protection Class	IP65
Hysteresis Error	±0.05%F.S.	Wiring Code (4-color wires):	
Input Resistance	1130±20Ω		
Output Resistance	1000±10Ω		
Temp. Effect on Sensitivity	±0.05%F.S./10°C		
Temp. Effect on Zero	±2%F.S./10°C		
Compensated Temp. Range	-		



Note:

- * Size, Cable Length, Capacity and Thread Type Could be Customized according to your requirement.
- * All specifications subject to change without notice, please confirm before order.

NRA605 NRA605B (Single Point Load Cell)

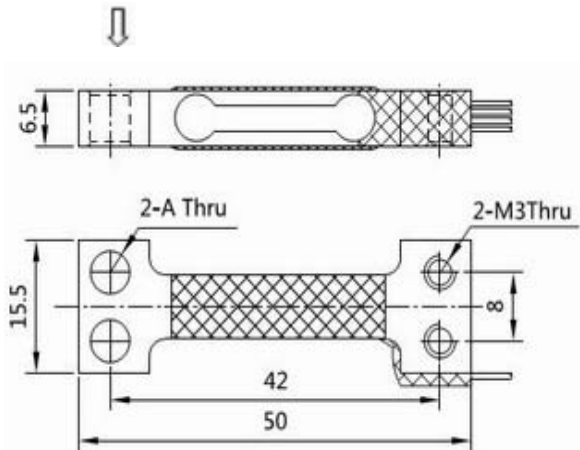


Features:

- * Aluminum Alloy Construction
- * Miniature Structure
- * Used in Electronic Balance, kitchen Scales, etc.

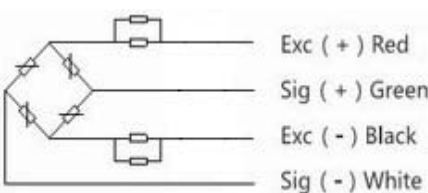
RoHS

TYPE	A
TA605	5.2
TA605B	3.2



NRA605 NRA605B Specification:

Capacity	0.15, 0.2, 0.3, 0.5, 1(Kg)	
Accuracy	C1	Operating Temp. Range -20 - + 60°C
Output Sensitivity	±0.1mv/v	Recommended Excitation ≤6VDC
Zero Balance	±5%F.S.	Max. Excitation Voltage 6VDC
Combined Error	±0.05%F.S.	Safe Overload 150%F.S.
Creep in 30 Minutes	±0.05%F.S.	Ultimate Overload 200%F.S.
Linearity Error	±0.05%F.S.	Insulation Resistance ≥2000MΩ(50VDC)
Repeatability Error	±0.05%F.S.	Cable Length φ0.8mm*200mm
Hysteresis Error	±0.05%F.S.	Protection Class IP65
Input Resistance	1130±20Ω	Wiring Code (4-color wires):
Output Resistance	1000±10Ω	Exc (+) Red
Temp. Effect on Sensitivity	±0.05%F.S./10°C	Sig (+) Green
Temp. Effect on Zero	±2%F.S./10°C	Exc (-) Black
Compensated Temp. Range	-	Sig (-) White



Note:

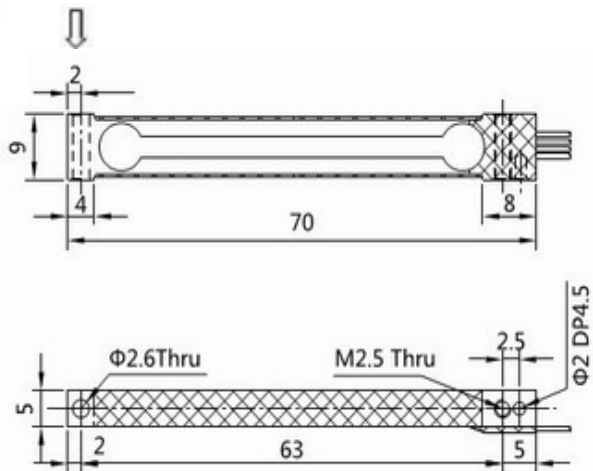
- * Size, Cable Length, Capacity and Thread Type Could be Customized according to your requirement.
- * All specifications subject to change without notice, please confirm before order.

NRA610 (Single Point Load Cell)



Features:

- * Aluminum Alloy Construction
- * Miniature Structure
- * Used in kitchen Scales, and other application, etc.



RoHS

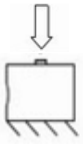
NRA610 Specification:

Capacity	0.02, 0.03, 0.05, 0.1, 0.2(Kg)		
Accuracy	C2	Operating Temp. Range	-20 - + 60°C
Output Sensitivity	1.0±30%mv/v	Recommended Excitation	≤6VDC
Zero Balance	±20%F.S.	Max. Excitation Voltage	6VDC
Combined Error	±0.05%F.S.	Safe Overload	150%F.S.
Creep in 30 Minutes	±0.05%F.S.	Ultimate Overload	200%F.S.
Linearity Error	±0.05%F.S.	Insulation Resistance	≥2000MΩ(50VDC)
Repeatability Error	±0.05%F.S.	Cable Length	φ0.8mm*100mm
Hysteresis Error	±0.05%F.S.	Protection Class	IP65
Input Resistance	1130±20Ω	Wiring Code (4-color wires):	
Output Resistance	1000±10Ω		
Temp. Effect on Sensitivity	±0.05%F.S./10°C		
Temp. Effect on Zero	±2%F.S./10°C		
Compensated Temp. Range	-		

Note:

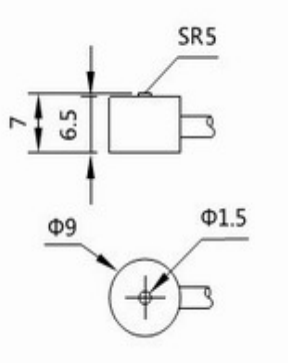
- * Size, Cable Length, Capacity and Thread Type Could be Customized according to your requirement.
- * All specifications subject to change without notice, please confirm before order.

NRC301 (Force Load Cells)



Features:

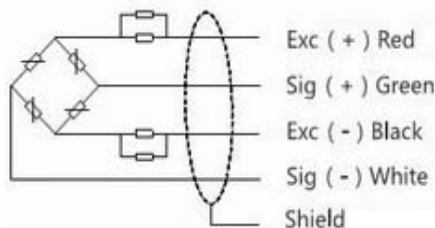
- * Comply with OIML Standard
- * Aluminum Alloy Construction or Stainless Steel.
- * Used in force testing applications with limited space.



RoHS

NRC301 Specification:

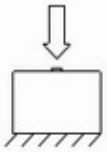
Capacity	5, 10, 20, (Kg)	Operating Temp. Range	-20 - + 60°C
Accuracy	C1	Recommended Excitation	≤6VDC
Output Sensitivity	2.0±0.5%mv/v	Max. Excitation Voltage	6VDC
Zero Balance	±0.1mv/v	Safe Overload	120%F.S.
Combined Error	±1%F.S.	Ultimate Overload	150%F.S.
Creep in 30 Minutes	±1%F.S.	Insulation Resistance	≥2000MΩ(50VDC)
Linearity Error	±1%F.S.	Cable Length	φ2.2mm*2000mm
Repeatability Error	±1%F.S.	Protection Class	IP65
Hysteresis Error	±1%F.S.	Wiring Code (4-wire, Braid shielded, PVC Cable):	
Input Resistance	350±10Ω		
Output Resistance	350±10Ω		
Temp. Effect on Sensitivity	±1%F.S./10°C		
Temp. Effect on Zero	±1%F.S./10°C		
Compensated Temp. Range	-10 - + 40°C		



Note:

- * Size, Cable Length, Capacity and Thread Type Could be Customized according to your requirement.
- * All specifications subject to change without notice, please confirm before order.

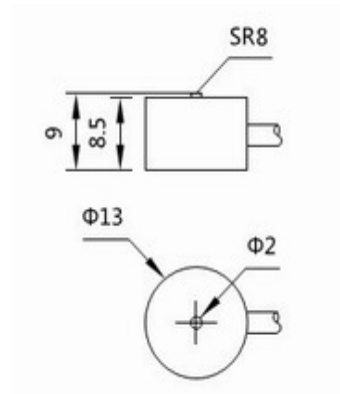
NRC302 (Force Load Cells)



RoHS

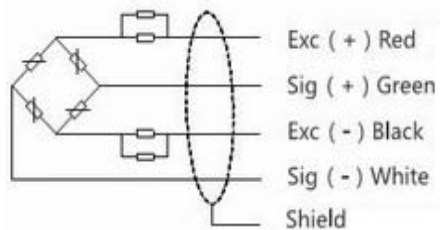
Features:

- * Comply with OIML Standard
- * Aluminum Alloy Construction or Stainless Steel.
- * Used in force testing applications with limited space.



NRC302 Specification:

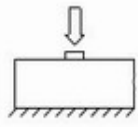
Capacity	5, 10, 20, 50(Kg)	Operating Temp. Range	-20 - + 60°C
Accuracy	C1	Recommended Excitation	≤6VDC
Output Sensitivity	2.0±0.5%mv/v	Max. Excitation Voltage	6VDC
Zero Balance	±0.1mv/v	Safe Overload	120%F.S.
Combined Error	±1%F.S.	Ultimate Overload	150%F.S.
Creep in 30 Minutes	±1%F.S.	Insulation Resistance	≥2000MΩ(50VDC)
Linearity Error	±1%F.S.	Cable Length	φ2.2mm*2000mm
Repeatability Error	±1%F.S.	Protection Class	IP65
Hysteresis Error	±1%F.S.	Wiring Code (4-wire, Braid shielded, PVC Cable):	
Input Resistance	350±10Ω		
Output Resistance	350±10Ω		
Temp. Effect on Sensitivity	±1%F.S./10°C		
Temp. Effect on Zero	±1%F.S./10°C		
Compensated Temp. Range	-10 - + 40°C		



Note:

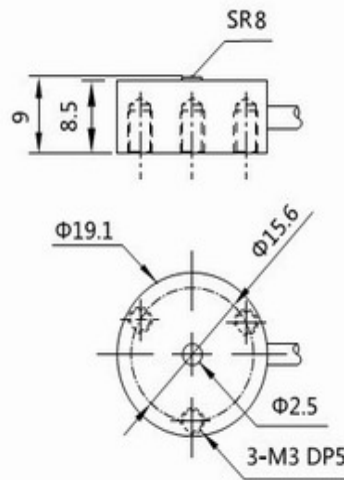
- * Size, Cable Length, Capacity and Thread Type Could be Customized according to your requirement.
- * All specifications subject to change without notice, please confirm before order.

NRC303 (Force Load Cells)



Features:

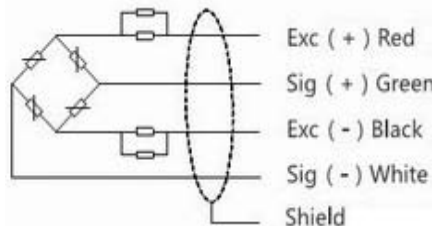
- * Comply with OIML Standard
- * Aluminum Alloy Construction or Stainless Steel.
- * Used in force testing applications with limited space.



RoHS

NRC303 Specification:

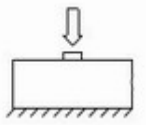
Capacity	5, 10, 20, 50(Kg)	Operating Temp. Range	-20 - + 60°C
Accuracy	C3	Recommended Excitation	≤6VDC
Output Sensitivity	2.0±0.5%mv/v	Max. Excitation Voltage	6VDC
Zero Balance	±0.1mv/v	Safe Overload	120%F.S.
Combined Error	±0.02%F.S.	Ultimate Overload	150%F.S.
Creep in 30 Minutes	±0.02%F.S.	Insulation Resistance	≥2000MΩ(50VDC)
Linearity Error	±0.02%F.S.	Cable Length	φ3mm*2000mm
Repeatability Error	±0.02%F.S.	Protection Class	IP65
Hysteresis Error	±0.02%F.S.	Wiring Code (4-wire, Braid shielded, PVC Cable):	
Input Resistance	350±10Ω		
Output Resistance	350±10Ω		
Temp. Effect on Sensitivity	±0.02%F.S./10°C		
Temp. Effect on Zero	±0.02%F.S./10°C		
Compensated Temp. Range	-10 - + 40°C		



Note:

- * Size, Cable Length, Capacity and Thread Type Could be Customized according to your requirement.
- * All specifications subject to change without notice, please confirm before order.

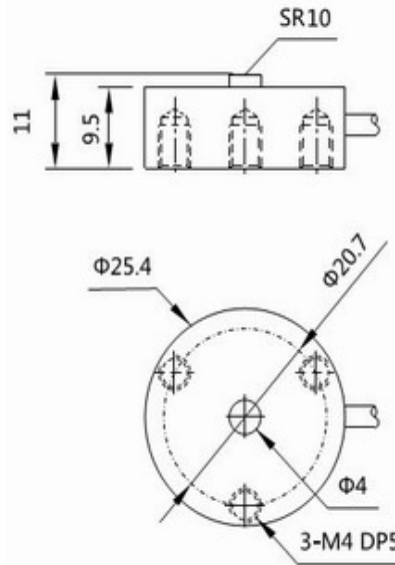
NRC304 (Force Load Cells)



RoHS

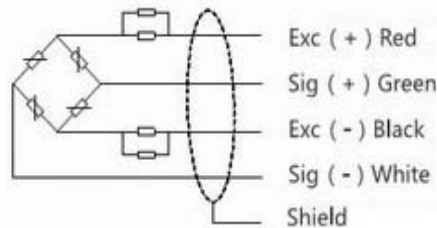
Features:

- * Comply with OIML Standard
- * Aluminum Alloy Construction or Stainless Steel.
- * Used in force testing applications with limited space.



NRC304 Specification:

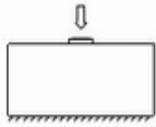
Capacity	20, 50, 100, 200, 300, 500 (Kg)
Accuracy	C2
Output Sensitivity	2.0±0.5%mv/v
Zero Balance	±0.1mv/v
Combined Error	±0.05%F.S.
Creep in 30 Minutes	±0.05%F.S.
Linearity Error	±0.05%F.S.
Repeatability Error	±0.05%F.S.
Hysteresis Error	±0.05%F.S.
Input Resistance	350±10Ω
Output Resistance	350±10Ω
Temp. Effect on Sensitivity	±0.05%F.S./10°C
Temp. Effect on Zero	±0.05%F.S./10°C
Compensated Temp. Range	-10 - +40°C
Operating Temp. Range	-20 - +60°C
Recommended Excitation	≤6VDC
Max. Excitation Voltage	6VDC
Safe Overload	120%F.S.
Ultimate Overload	150%F.S.
Insulation Resistance	≥2000MΩ(50VDC)
Cable Length	φ3mm*2000mm
Protection Class	IP65
Wiring Code (4-wire, Braid shielded, PVC Cable):	



Note:

- * Size, Cable Length, Capacity and Thread Type Could be Customized according to your requirement.
- * All specifications subject to change without notice, please confirm before order.

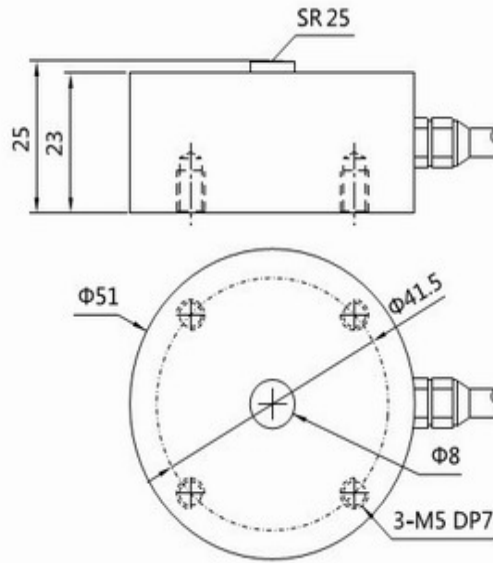
NRC305 (Force Load Cells)



RoHS

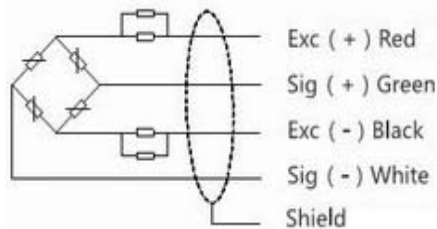
Features:

- * Comply with OIML Standard
- * Aluminum Alloy Construction or Stainless Steel.
- * Used in force testing applications with limited space.



NRC305 Specification:

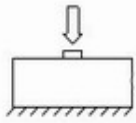
Capacity	50, 100, 200, 300, 500 (Kg)	Operating Temp. Range	-20 - + 60°C
Accuracy	C2	Recommended Excitation	≤6VDC
Output Sensitivity	2.0±0.5%mv/v	Max. Excitation Voltage	6VDC
Zero Balance	±0.1mv/v	Safe Overload	120%F.S.
Combined Error	±0.05%F.S.	Ultimate Overload	150%F.S.
Creep in 30 Minutes	±0.05%F.S.	Insulation Resistance	≥2000MΩ(50VDC)
Linearity Error	±0.05%F.S.	Cable Length	φ3mm*2000mm
Repeatability Error	±0.05%F.S.	Protection Class	IP65
Hysteresis Error	±0.05%F.S.	Wiring Code (4-wire, Braid shielded, PVC Cable):	
Input Resistance	350±10Ω	Exc (+) Red	
Output Resistance	350±10Ω	Sig (+) Green	
Temp. Effect on Sensitivity	±0.05%F.S./10°C	Exc (-) Black	
Temp. Effect on Zero	±0.05%F.S./10°C	Sig (-) White	
Compensated Temp. Range	-10 - + 40°C	Shield	



Note:

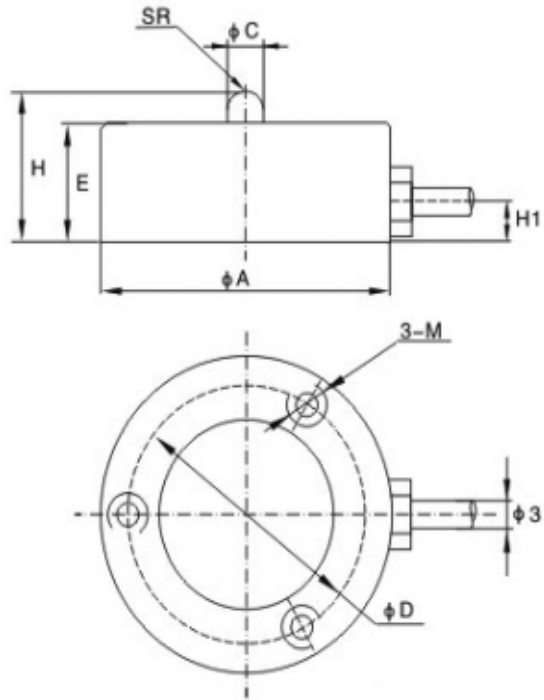
- * Size, Cable Length, Capacity and Thread Type Could be Customized according to your requirement.
- * All specifications subject to change without notice, please confirm before order.

NRC306S (Force Load Cells)



Features:

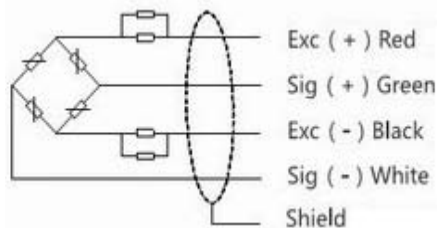
- * Comply with OIML Standard
- Stainless Steel Construction
- * Used in force testing applications with limited space.



Capacity (Kg)	ΦA	ΦC	ΦD	H	E	M	H1	SR
10-200	20	2.5	15.5	12	10.0	M3	3.5	6
300-1000	26	5	18.5	15	11.5	M4	3.5	6
≥2000	30	6	20.0	18	14.0	M4	3.5	15

NRC306S Specification:

Capacity	5, 10, 20, 30, 50, 100, 200, 300, 500, 1000, 2000(Kg)		
Accuracy	C3	Operating Temp. Range	-20 - +60°C
Output Sensitivity	1-1.5mv/v	Recommended Excitation	≤10VDC
Zero Balance	±0.1mv/v	Max. Excitation Voltage	10VDC
Combined Error	±0.05%F.S.	Safe Overload	120%F.S.
Creep in 30 Minutes	±0.05%F.S.	Ultimate Overload	150%F.S.
Linearity Error	±0.04%F.S.	Insulation Resistance	≥5000MΩ(50VDC)
Repeatability Error	±0.04%F.S.	Cable Length	φ3mm*3000mm
Hysteresis Error	±0.04%F.S.	Protection Class	IP65
Input Resistance	350±18Ω	Wiring Code (4-wire, Braid shielded, PVC Cable):	
Output Resistance	350±5Ω	Exc (+) Red	
Temp. Effect on Sensitivity	±0.05%F.S./10°C	Sig (+) Green	
Temp. Effect on Zero	±0.05%F.S./10°C	Exc (-) Black	
Compensated Temp. Range	-	Sig (-) White	
		Shield	



Note:

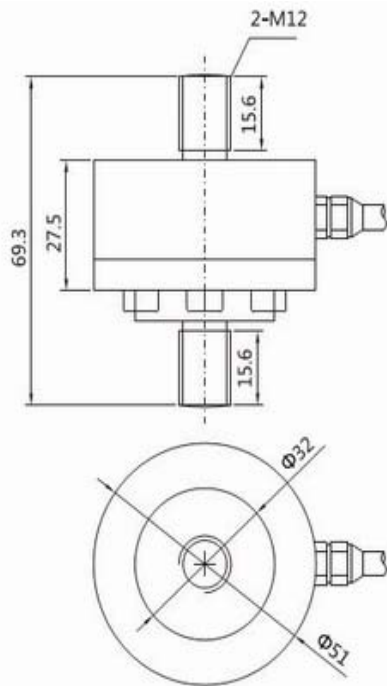
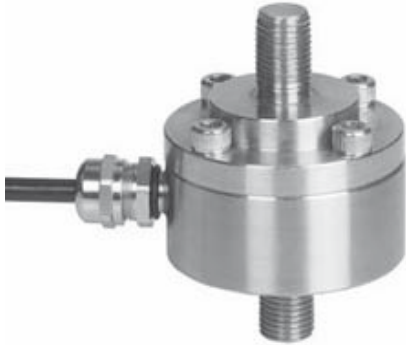
- * Size, Cable Length, Capacity and Thread Type Could be Customized according to your requirement.
- * All specifications subject to change without notice, please confirm before order.

NRC320 (Force Load Cells)



Features:

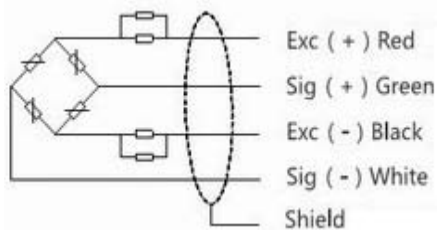
- * Comply with OIML Standard
- * Stainless Steel Construction
- * Used in force testing applications with limited space.



RoHS

NRC320 Specification:

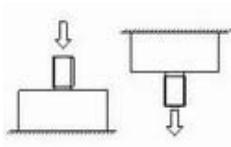
Capacity	100, 200, 300, 500, 1000 (Kg)
Accuracy	C2
Output Sensitivity	2.0±0.5%mv/v
Zero Balance	±0.1mv/v
Combined Error	±0.05%F.S.
Creep in 30 Minutes	±0.05%F.S.
Linearity Error	±0.05%F.S.
Repeatability Error	±0.05%F.S.
Hysteresis Error	±0.05%F.S.
Input Resistance	350±10Ω
Output Resistance	350±10Ω
Temp. Effect on Sensitivity	±0.05%F.S./10°C
Temp. Effect on Zero	±0.05%F.S./10°C
Compensated Temp. Range	-10 - +40°C
Operating Temp. Range	-20 - +60°C
Recommended Excitation	≤6VDC
Max. Excitation Voltage	6VDC
Safe Overload	120%F.S.
Ultimate Overload	150%F.S.
Insulation Resistance	≥2000MΩ(50VDC)
Cable Length	φ3mm*2000mm
Protection Class	IP65
Wiring Code (4-wire, Braid shielded, PVC Cable):	



Note:

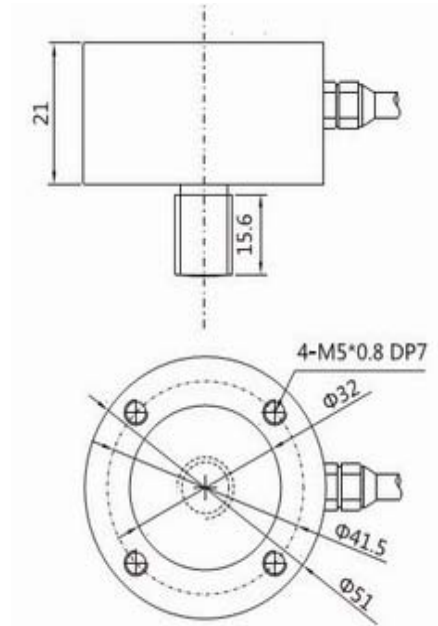
- * Size, Cable Length, Capacity and Screw Type Could be Customized according to your requirement.
- * All specifications subject to change without notice, please confirm before order.

NRC321 (Force Load Cells)



Features:

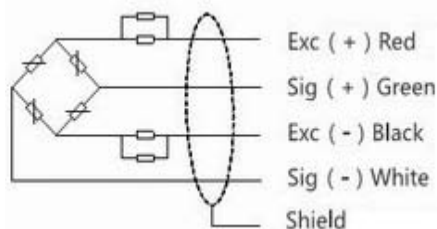
- * Comply with OIML Standard
- * Stainless Steel Construction
- * Used in force testing applications with limited space.



RoHS

NRC321 Specification:

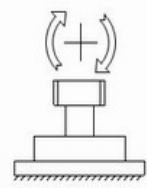
Capacity	100, 200, 300, 500, 1000 (Kg)
Accuracy	C2
Output Sensitivity	2.0±0.5%mv/v
Zero Balance	±0.1mv/v
Combined Error	±0.05%F.S.
Creep in 30 Minutes	±0.05%F.S.
Linearity Error	±0.05%F.S.
Repeatability Error	±0.05%F.S.
Hysteresis Error	±0.05%F.S.
Input Resistance	350±10Ω
Output Resistance	350±10Ω
Temp. Effect on Sensitivity	±0.05%F.S./10°C
Temp. Effect on Zero	±0.05%F.S./10°C
Compensated Temp. Range	-10 - + 40°C
Operating Temp. Range	-20 - + 60°C
Recommended Excitation	≤6VDC
Max. Excitation Voltage	6VDC
Safe Overload	120%F.S.
Ultimate Overload	150%F.S.
Insulation Resistance	≥2000MΩ(50VDC)
Cable Length	φ3mm*2000mm
Protection Class	IP65
Wiring Code (4-wire, Braid shielded, PVC Cable):	



Note:

- * Size, Cable Length, Capacity and Screw Type Could be Customized according to your requirement.
- * All specifications subject to change without notice, please confirm before order.

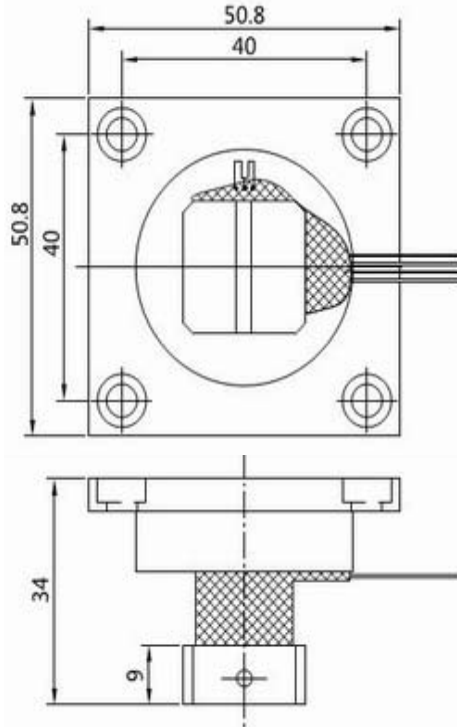
NRC341 (Force Load Cells)



RoHS

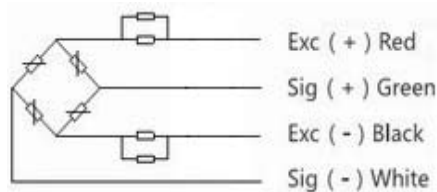
Features:

- * Comply with OIML Standard
- * Aluminum Alloy Construction
- * Used in force testing applications with limited space.



NRC341 Specification:

Capacity	1, 5, 10, 20 (Nm)	Operating Temp. Range	-20 - + 60°C
Accuracy	C2	Recommended Excitation	≤6VDC
Output Sensitivity	1.0±10%mv/v	Max. Excitation Voltage	6VDC
Zero Balance	±0.01mv/v	Safe Overload	120%F.S.
Combined Error	±1%F.S.	Ultimate Overload	150%F.S.
Creep in 30 Minutes	±1%F.S.	Insulation Resistance	≥2000MΩ(50VDC)
Linearity Error	±1%F.S.	Cable Length	∅0.6mm*100mm
Repeatability Error	±1%F.S.	Protection Class	IP65
Hysteresis Error	±1%F.S.	Wiring Code (4-color wires):	
Input Resistance	395±10Ω		
Output Resistance	350±10Ω		
Temp. Effect on Sensitivity	±0.01%F.S./10°C		
Temp. Effect on Zero	±2%F.S./10°C		
Compensated Temp. Range	-10 - + 40°C		



Note:

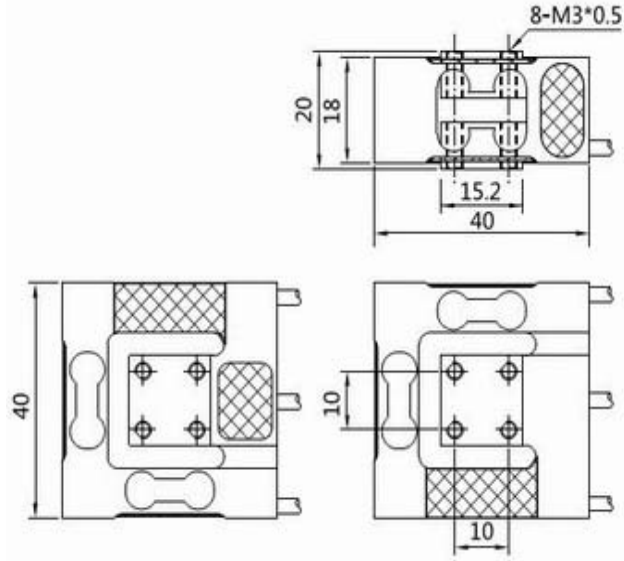
- * Size, Cable Length, Capacity and Screw Type Could be Customized according to your requirement.
- * All specifications subject to change without notice, please confirm before order.

NRC361 (Force Load Cells)



Features:

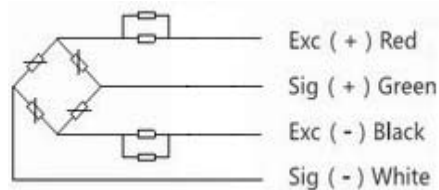
- * Comply with OIML Standard
- * Aluminum Alloy Construction
- * Used in 3-axis force testing applications



RoHS

NRC361 Specification:

Capacity	10, 20, 30, 50 (N)	Operating Temp. Range	-20 - + 60°C
Accuracy	C2	Recommended Excitation	≤6VDC
Output Sensitivity	1.0±5%mv/v	Max. Excitation Voltage	6VDC
Zero Balance	±0.1mv/v	Safe Overload	120%F.S.
Combined Error	±0.2%F.S.	Ultimate Overload	150%F.S.
Creep in 30 Minutes	±0.2%F.S.	Insulation Resistance	≥2000MΩ(50VDC)
Linearity Error	±0.2%F.S.	Cable Length	φ3mm*2000mm
Repeatability Error	±0.2%F.S.	Protection Class	IP65
Hysteresis Error	±0.2%F.S.	Wiring Code (4-color wires):	
Input Resistance	350±10Ω		
Output Resistance	350±10Ω		
Temp. Effect on Sensitivity	±0.1%F.S./10°C		
Temp. Effect on Zero	±0.5%F.S./10°C		
Compensated Temp. Range	-10 - + 40°C		



Note:

- * Size, Cable Length, Capacity and Screw Type Could be Customized according to your requirement.
- * All specifications subject to change without notice, please confirm before order.

NR *new resistance*

