

LAMPIRAN 1

```
#include <Servo.h>
```

```
Servo myServo;
```

```
int button= 2;
```

```
int nilaitombol;
```

```
int count;
```

```
int lampu=5;
```

```
int a=10000; // waktu timer dalam ms
```

```
void setup() {
```

```
myServo.attach(9);
```

```
pinMode(button, INPUT);
```

```
pinMode(lampu, OUTPUT);
```

```
}
```

```
void loop() {
```

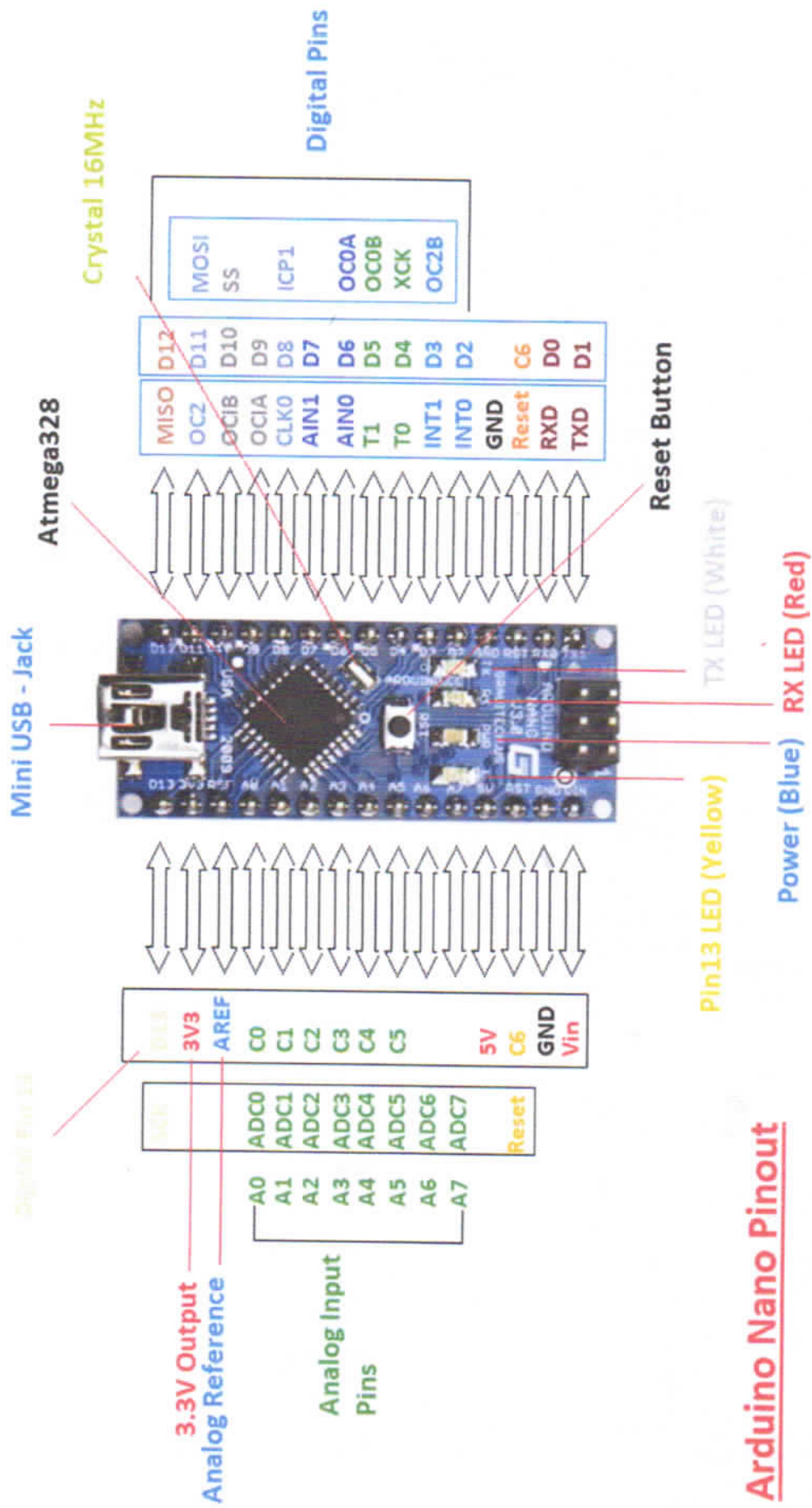
```
digitalWrite(lampu,HIGH);
```

```
nilaitombol= digitalRead(button); // MEMASUKKAN KAIT STABILO
```

```
if(nilaitombol == 1){
```

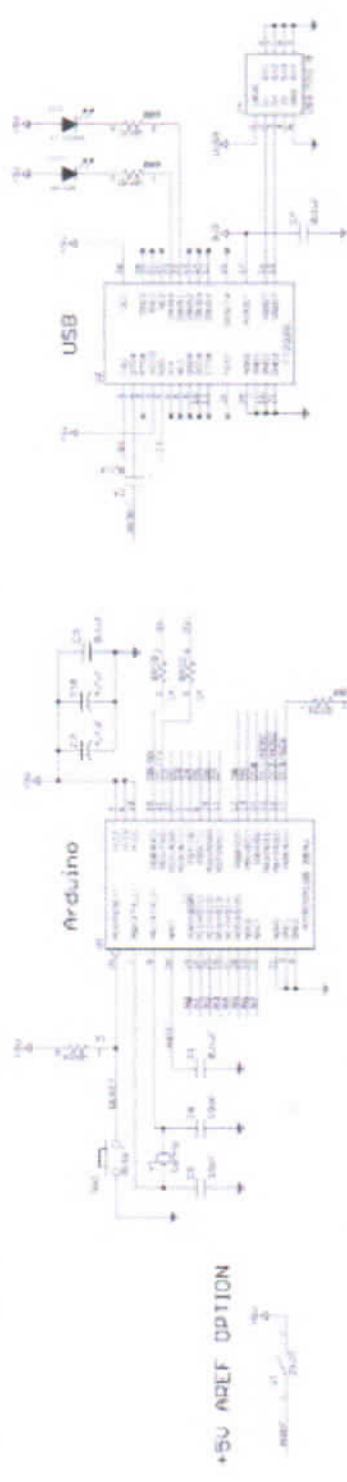
```
count++;
```

```
delay(3000);  
if(count==1){ // membuka pengait  
digitalWrite(lampu,HIGH);  
myServo.write(45);  
  
}if(count==2){ // menutup pengait  
digitalWrite(lampu,HIGH);  
myServo.write(0);  
  
}if(count==3){ // memulai timer  
digitalWrite(lampu,LOW);  
delay(a);  
myServo.write(45);  
digitalWrite(lampu,HIGH);  
delay(3000);  
myServo.write(0); // timer selesai, servo menutup kembali  
count=0;  
  
}  
  
}  
  
}
```



Arduino Nano Schematic

Copyright 2008 under the Creative Commons Attribution Share-Alike 2.5 License
<https://creativecommons.org/licenses/by-sa/2.5/>

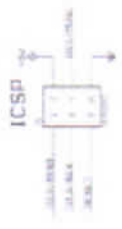


+5V AREF OPTION

+5V REG



+5V AUTO SELECTOR



NOT USED

4253	Revision 1.77 (2008-10-16)	480
TITLE: Arduino Nano		REV: 2.3
Component Numbers		Sheet 1/1
Date: 6/24/2008	By: Bruce van	